

4

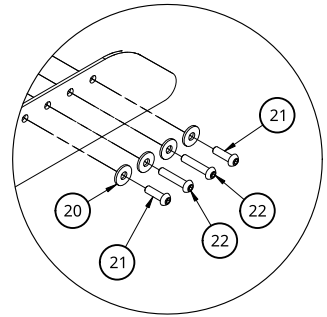
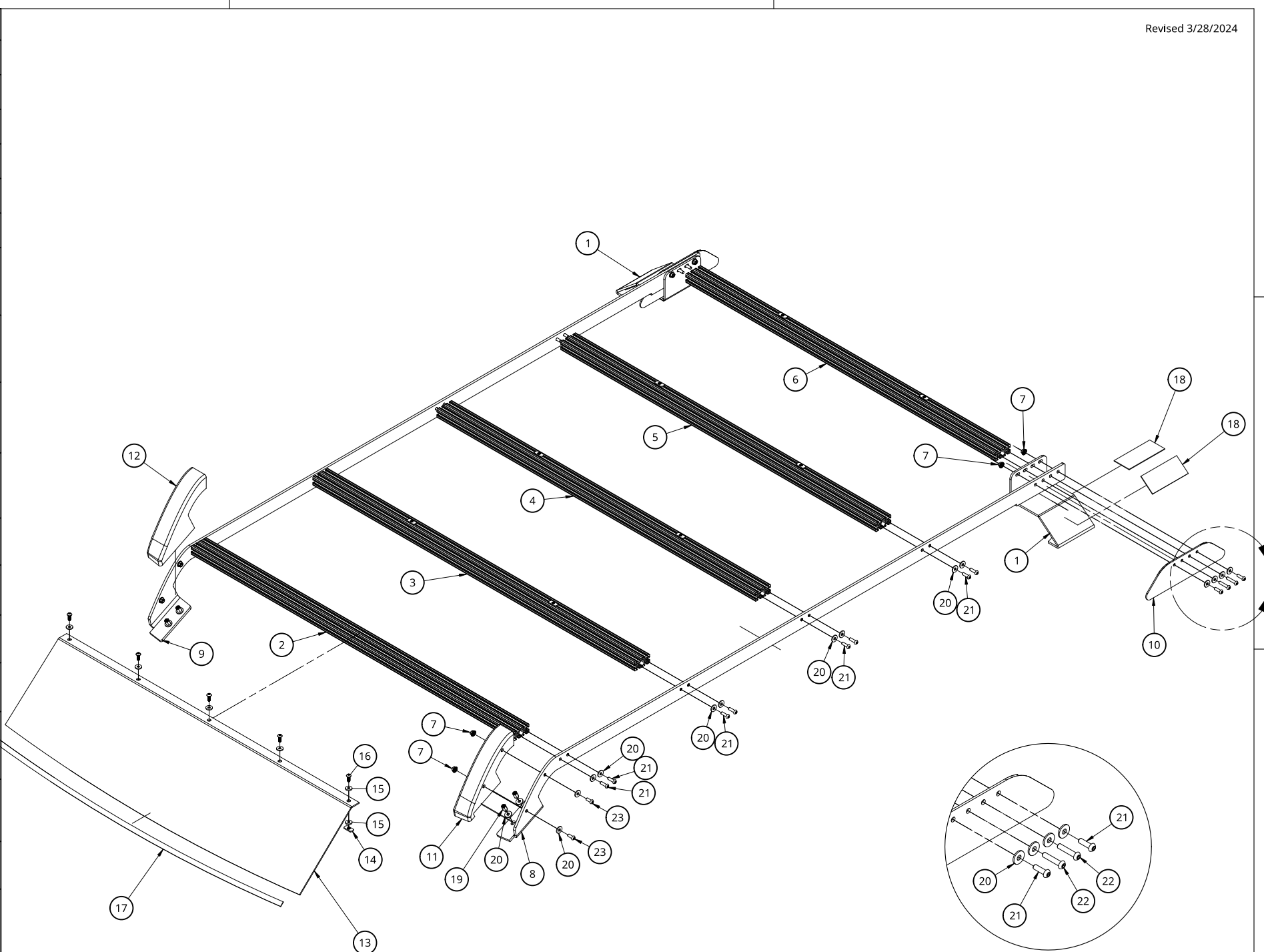
3

2

1

Revised 3/28/2024

Item	Quantity	Name	Part number	Description
1	2	Rear bracket	1401-0401.1	Rear mounting bracket
2	1	Cross Bar 1		Aluminum extrusion 1x2 42.75"
3	1	Cross Bar 2		Aluminum extrusion 1x2 42.625
4	1	Cross Bar 3		Aluminum extrusion 1x2 42.188"
5	1	Cross Bar 4		Aluminum extrusion 1x2 41.75"
6	1	Cross Bar 5		Aluminum extrusion 1x2 41.00"
7	8	Serrated Flange Locknut	ABABA-.6CNWFS	Metric 18-8 Stainless Steel Serrated Flange Locknuts
8	1	1401-0401.7a inside driver rail		
9	1	1401-0401.8a inside passenger rail		
10	2	Finishing plate	1401.0401.9	2 door finishing plate
11	1	Front cover - driver		
12	1	Front cover - passenger		
13	1	Wind Jammer 2.1	1401.0400.b	0.118" Impact Modified Acrylic, transparent, dark smoke
14	13	T-Nut	3382-T-NUT	1/4-20 10 S ECONOMY T-SLOT NUT, END FEED SINGLE (BLK)
15	10	Rubber Sealing Washer	ABABA-25R62WNO/3/32TH	Oil-Resistant Neoprene Rubber Sealing Washer for 1/4" Screw Size, 0.23" ID, 0.625" OD
16	5	Fastener	ABABA-25C62KNCS	1/4-20 x 5/8 BTN SOC CAP SCRW S/S
17	1	3M double side		
18	4	Rubber - Bronco bracket		Rubber sheet 0.063 x 2.0 x 4.5 in.
19	4	Bronco Coupling Nut	90111A332-JN	Bronco Rack front nut (4x per rack) 316 Stainless Steel Coupling Nut-M6x1 Thread turned down 5mm x 7.5mm
20	32	Plastic Washer	ABABA-25R50WSFN/.032-BLK	1/4 X 1/2 FLAT WSH .032 THK BLACK NYLON
21	20	Socket button head screw M6x1 x 20	ABABA-.6C20KBCS	Socket button head screw M6x1 x 20 Stainless Steel
22	4	Socket button head screw M6x1 x 30	ABABA-.6C30KBCS	Socket button head screw M6x1 x 30 Stainless Steel
23	4	Socket button head screw M6x1 x 16	ABABA-.6C16KBCS	Socket button head screw M6x1 x 16 Stainless Steel



DETAIL A
SCALE 1:6

Install Video



UNLESS OTHERWISE SPECIFIED, DIMENSIONS ARE IN INCHES .XX = ±.0- .XXX = ±.00- .XXXX = ±.000- SURFACE FINISH ✓ DO NOT SCALE DRAWING BREAK ALL SHARP EDGES AND REMOVE BURRS THIRD ANGLE PROJECTION		NAME Justus Standley	DATE 02/11/2022
DRAWN		BA	
CHECKED		TITLE Roof Rack Bronco 2 Door	
APPROVED		SIZE B	
MATERIAL		FINISH	
SCALE 1:10		WEIGHT	
SHEET 1 of 1		REV D	

TITLE Roof Rack Bronco 2 Door		SIZE B	DWG NO. 1401-0405	REV D
SCALE 1:10		WEIGHT		SHEET 1 of 1

4

3

2

1

D

D

C

C

B

B

A

A