

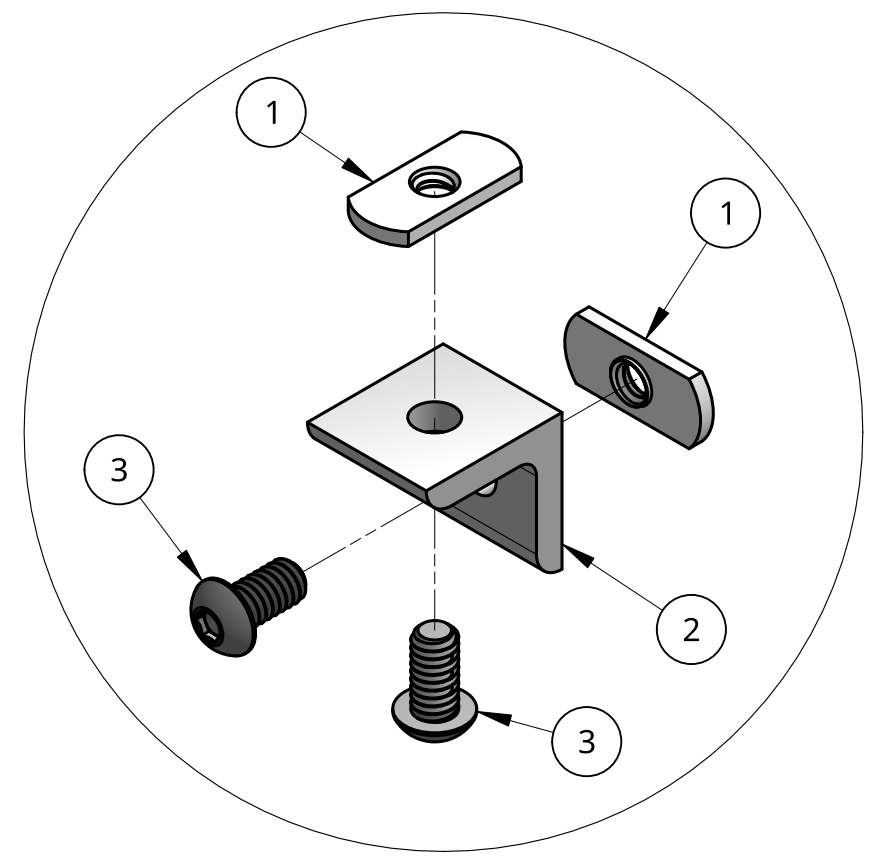
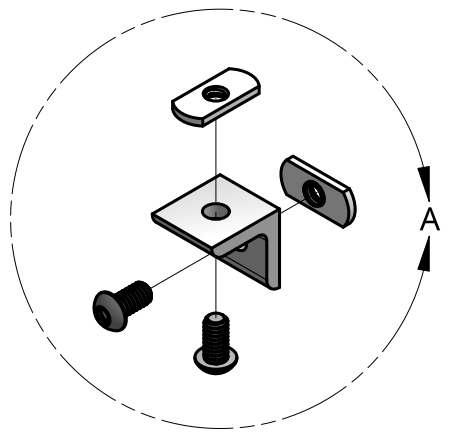
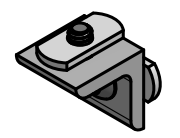
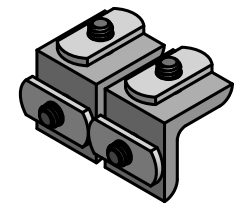
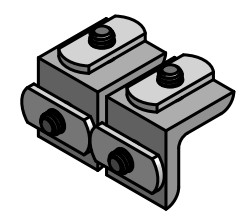
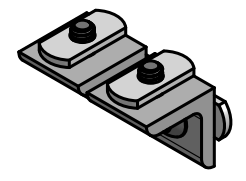
4

3

2



1

Item	Quantity	Name	Part number	Description
1	16	T-nut	8020-3382-T-NUT	1/4-20 10 S ECONOMY T-SLOT NUT, END FEED SINGLE (BLK)
2	8	L-Bracket	4119	1x1" L Bracket
3	16	Fastener	ABABA-25C50KBCS	1/4-20 X 1/2 BTN SOC CAP SCREW S/S



DETAIL A  
SCALE 1:1



UNLESS OTHERWISE SPECIFIED, DIMENSIONS ARE IN INCHES .XX = ±.0- .XXX = ±.00- .XXXX = ±.000-		NAME	DATE	 <b>TITLE</b> 9900-0006 Universal Tent Mounting Angle Brackets & Hardware
SURFACE FINISH ✓		DRAWN	Justus Standley	
DO NOT SCALE DRAWING		CHECKED		
BREAK ALL SHARP EDGES AND REMOVE BURRS		APPROVED		
THIRD ANGLE PROJECTION	MATERIAL	FINISH	SIZE	B
			DWG NO.	
			SCALE	1:2
			WEIGHT	
			SHEET	1 of 1

4

3

2

1

D

D

C

C

B

B

A

A