

4

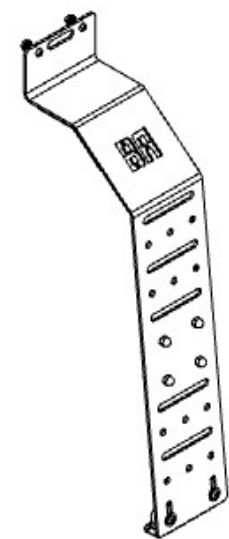
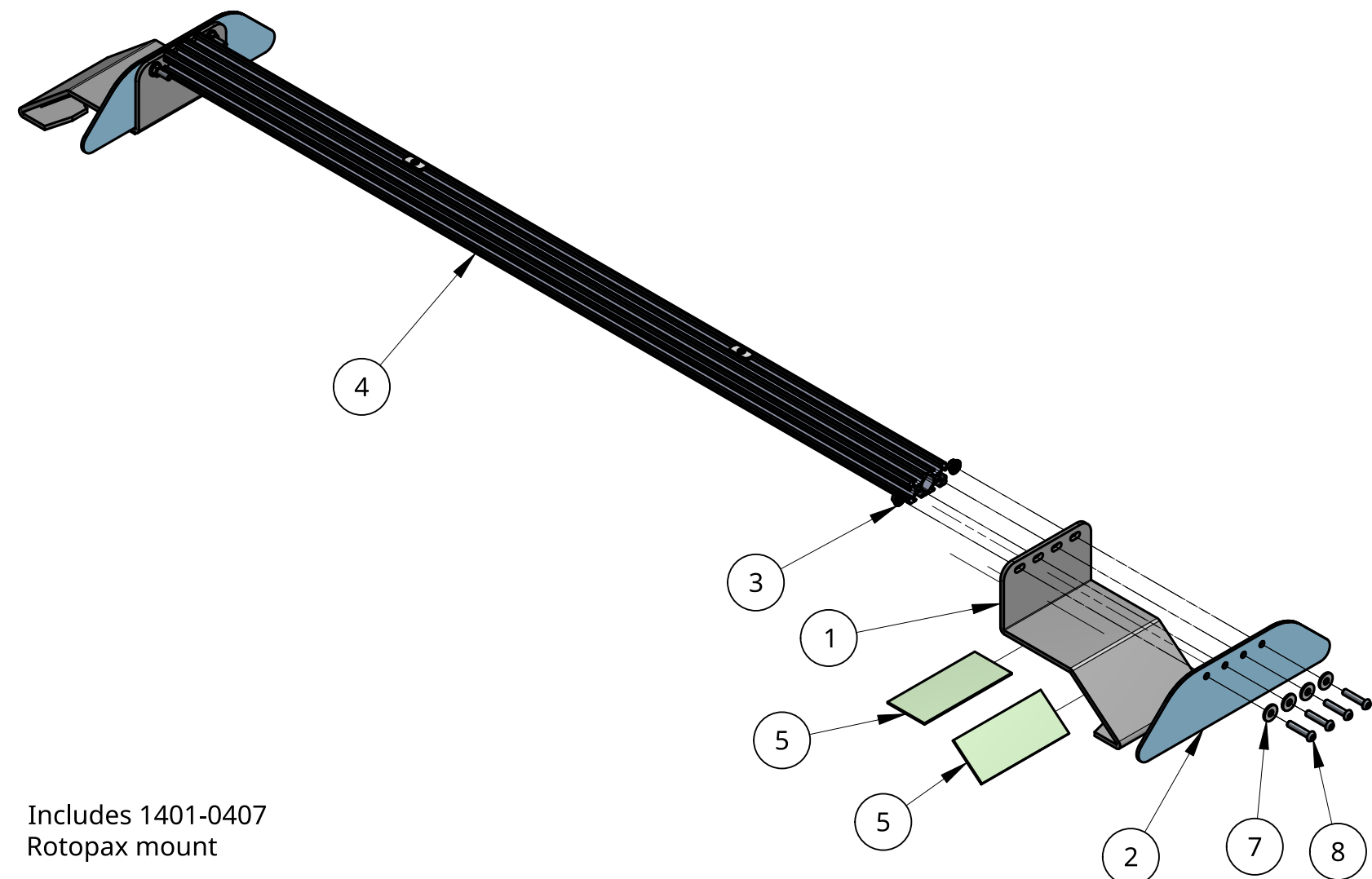
3

2

1



Item	Quantity	Name	Part number	Description
1	2	1401-0401.1 Rear bracket	1401-0401.1	Rear Bracket
2	2	Finishing plate	1401.0401.9	2 door finishing plate
3	4	Serrated Flange Locknut	ABABA-.6CN WFS	Metric 18-8 Stainless Steel Serrated Flange Locknuts
4	1	Cross Bar 6		Aluminum extrusion 1x2 40.375"
5	4	Rubber - Bronco bracket		Rubber sheet 0.063 x 2.0 x 4.5 in.
6	2	T-Nut	3382-T-NUT	1/4-20 10 S ECONOMY T-SLOT NUT, END FEED SINGLE (BLK)
7	8	Plastic Washer	ABABA-25R50 WSN/.032-B LK	1/4 X 1/2 FLAT WSH .032 THK BLACK NYLON
8	8	Socket button head screw M6x1 x 30	ABABA-.6C30 KBCS	Socket button head screw M6x1 x 30 Stainless Steel

Revised 3/27/2024



Includes 1401-0407 Rotopax mount



UNLESS OTHERWISE SPECIFIED, DIMENSIONS ARE IN INCHES .XX = ±.0- .XXX = ±.00- .XXXX = ±.000-		NAME	DATE	 TITLE Bronco Rack Stand Alone Rotopax Mounting 4 Door
SURFACE FINISH ✓		DRAWN	07/18/2022	
DO NOT SCALE DRAWING		CHECKED		
BREAK ALL SHARP EDGES AND REMOVE BURRS		APPROVED		
THIRD ANGLE PROJECTION	MATERIAL	FINISH	SCALE	SIZE B
			1:6	DWG NO. 1401-0409
			WEIGHT	REV. v3
			SHEET	1 of 1

4

3

2

1

D

D

C

C

B

B

A

A