

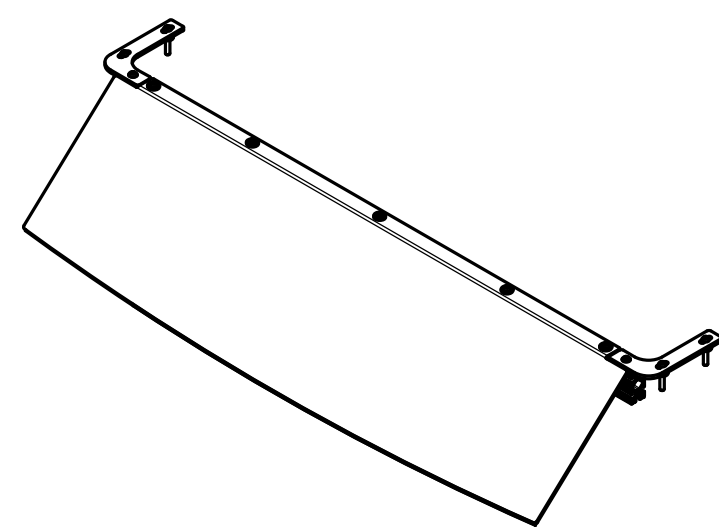
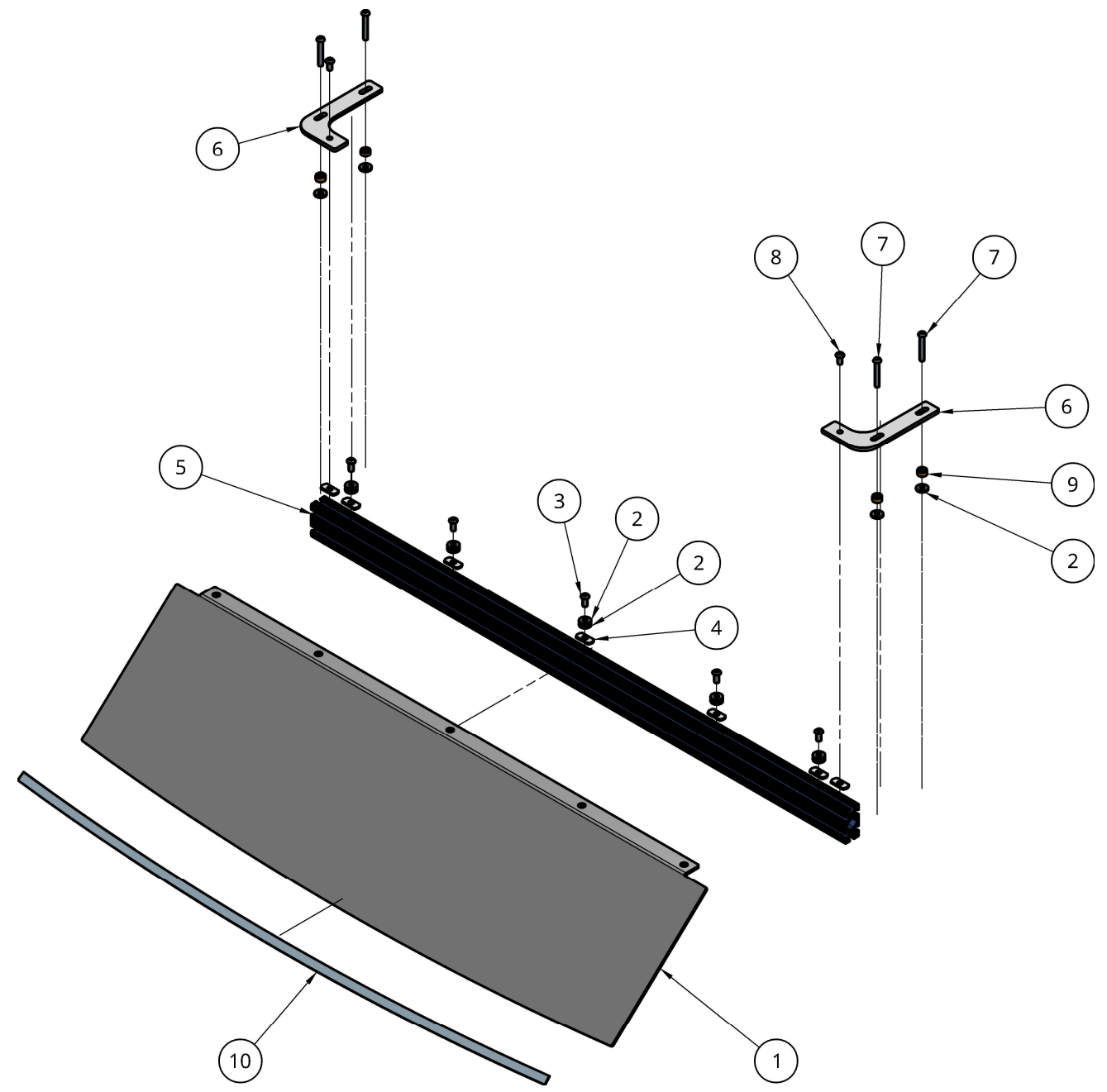
4


3

2

1

Item	Quantity	Name	Part number	Description
1	1	Wind Jammer OEM	1401.0410.2	Bronco OEM Wind Deflector - Dark Smoke Acrylic
2	14	Rubber Sealing Washer	ABABA-25R62WNO/3/32 TH	Oil-Resistant Neoprene Rubber Sealing Washer for 1/4" Screw Size, 0.23" ID, 0.625" OD
3	5	Socket button head cap screw 1/4-20 x 0.5625	ABABA-25C62KNCS	Socket button head cap screw 1/4-20 x 0.5625 Stainless Steel
4	7	T-Nut	3382-T-NUT	1/4-20 10 S ECONOMY T-SLOT NUT, END FEED SINGLE (BLK)
5	1	1020 frame 38"	1020-145"	8020 1020 x 38" length Extruded Aluminum
6	2	Mounting bracket	1401.0410.1	Wind Deflector OEM
7	4	Socket button head screw M6x1 x 40	ABABA-.6C40KBCS	Socket button head screw M6x1 x 40 Stainless Steel
8	2	Socket button head cap screw 1/4-20 x 0.5	ABABA-25C50KBCS	1/4-20 X 1/2 BTN SOC CAP SCREW S/S
9	4	Spacer	92825A131	LDPE Unthreaded Spacer 1/2" OD, 1/4" Long, for 1/4" Screw Size
10	1	Tape		3M double sided tape



UNLESS OTHERWISE SPECIFIED, DIMENSIONS ARE IN INCHES .XX = ± 0- .XXX = ± 00- .XXXX = ± 000-		NAME	DATE	 Bronco Wind Jammer OEM Assembly
ANGULAR = ± ° FRACTIONAL = ±	DRAWN	Justus Standley	06/13/2022	
SURFACE FINISH ✓	CHECKED			
DO NOT SCALE DRAWING BREAK ALL SHARP EDGES AND REMOVE BURRS	APPROVED			
THIRD ANGLE PROJECTION	MATERIAL	FINISH	SCALE	TITLE Bronco Wind Jammer OEM Assembly SIZE B DWG NO. 1401-0410 REV. V1 SCALE 1:10 WEIGHT SHEET 3 of 3

4

3

2

1

D

D

C

C

B

B

A

A