

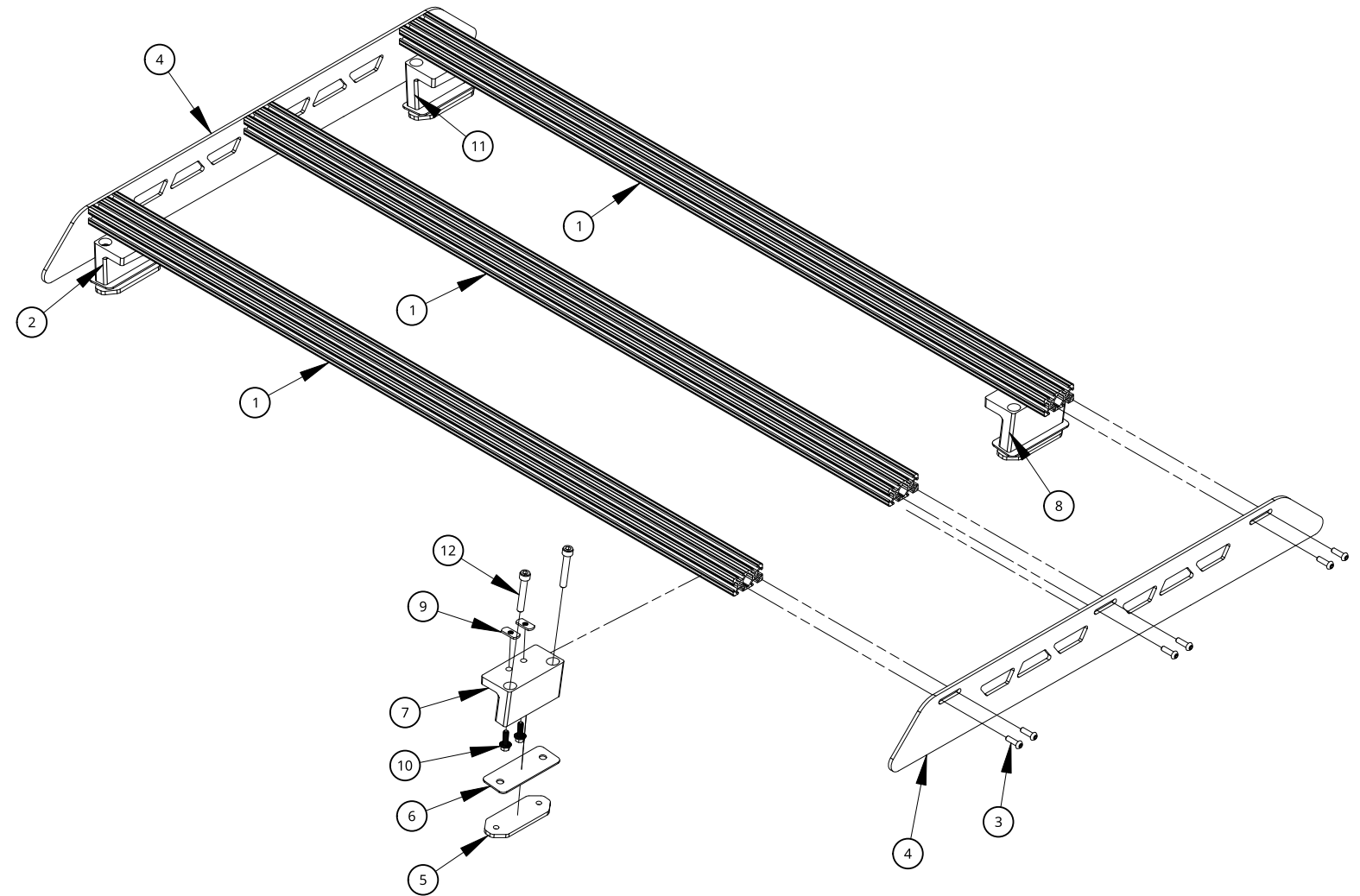
4

3

2

1

Item	Quantity	Part number	Description
1	3	1801.0400.03	Defender Roof Rack Rear Cross Bars 44" Bar 1" X 2" T-SLOTTED EXTRUSION
2	1	01-0220-01.005	Machined aluminum, black passenger center
3	12	ABABA-6C20KBCS	Socket button head screw M6x1 x 20 Stainless Steel
4	2	1801.0400.02	Side Plate - No Bottom cutouts
5	4	1801.0400.00	1801.0400.00 bottom threaded
6	4	1801.0400.01	1801.0400.01 top plate
7	1	01-0220-01.006	Machined aluminum, black driver center
8	1	01-0220-01.002	Machined aluminum, black, driver rear
9	8	ABABA-8020-3382	1/4-20 10 S ECONOMY T-SLOT NUT, END FEED SINGLE (BLK)
10	8	ABABA-25C75BWFS	1/4-20 X 3/4 WHIZ FLNG BLT S/S
11	1	01-0220-01.001	Machined aluminum, black, passenger rear
12	8	ABABA-.8C50KCSS	Hex socket head cap screw M8x1.25 x 50 Stainless Steel

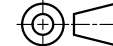


UNLESS OTHERWISE SPECIFIED,
DIMENSIONS ARE IN INCHES
.XX = ±.0-
.XXX = ±.00- ANGULAR = ±°
.XXXX = ±.000- FRACTIONAL = ±

SURFACE FINISH ✓

DO NOT SCALE DRAWING
BREAK ALL SHARP EDGES AND
REMOVE BURRS

THIRD ANGLE PROJECTION



NAME	Justus Standley	DATE	02/22/2023
DRAWN			
CHECKED			
APPROVED			

TITLE		Defender Roof Rack Assembly	
SIZE	B	DWG NO.	1801-0400
SCALE	1:8	WEIGHT	
SHEET		1 of 1	

4

3

2

1

D

D

C

C

B

B

A

A