

PACKOUT TENT



Assembly Instructions

STANDARD SIZE
PN# 04-020, 04-021

0423



Thank you!

A lot of things go together, you and her, beer in hand, good times and overlanding. Not only do they go together, they're better together – just like you and a Badass Tent are a good fit for fun no matter what trail your rig takes you down. Grab your passion and find a destination with some great up-top overnighting in your new roof top tent.

Enjoy big time!

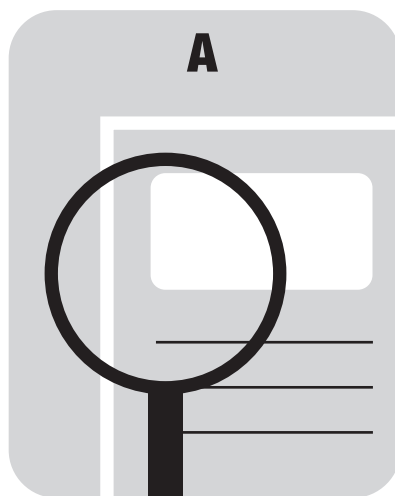
Visit: www.badasstents.com

Remember to keep the road behind you and the fun ahead!

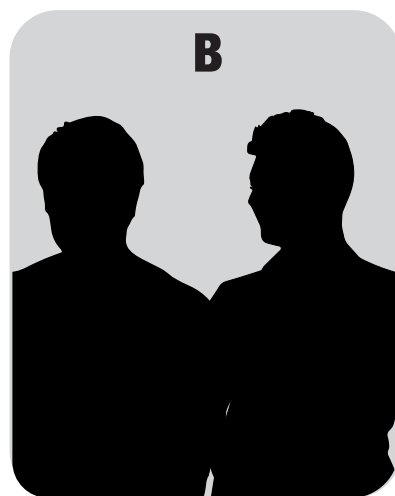

Founder & Overlander



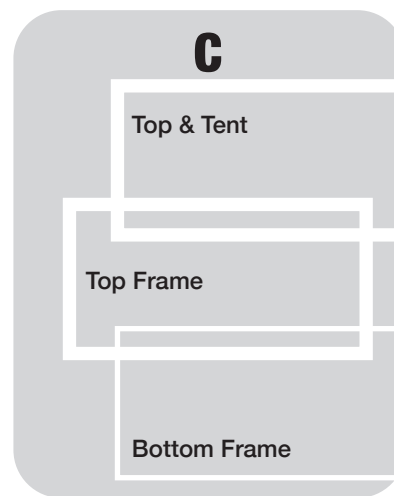
! IMPORTANT - PLEASE READ



Review in total this guidebook.
Please make sure you have the right tools, including a power driver, and ability to complete the task. Should take under 8 hours.



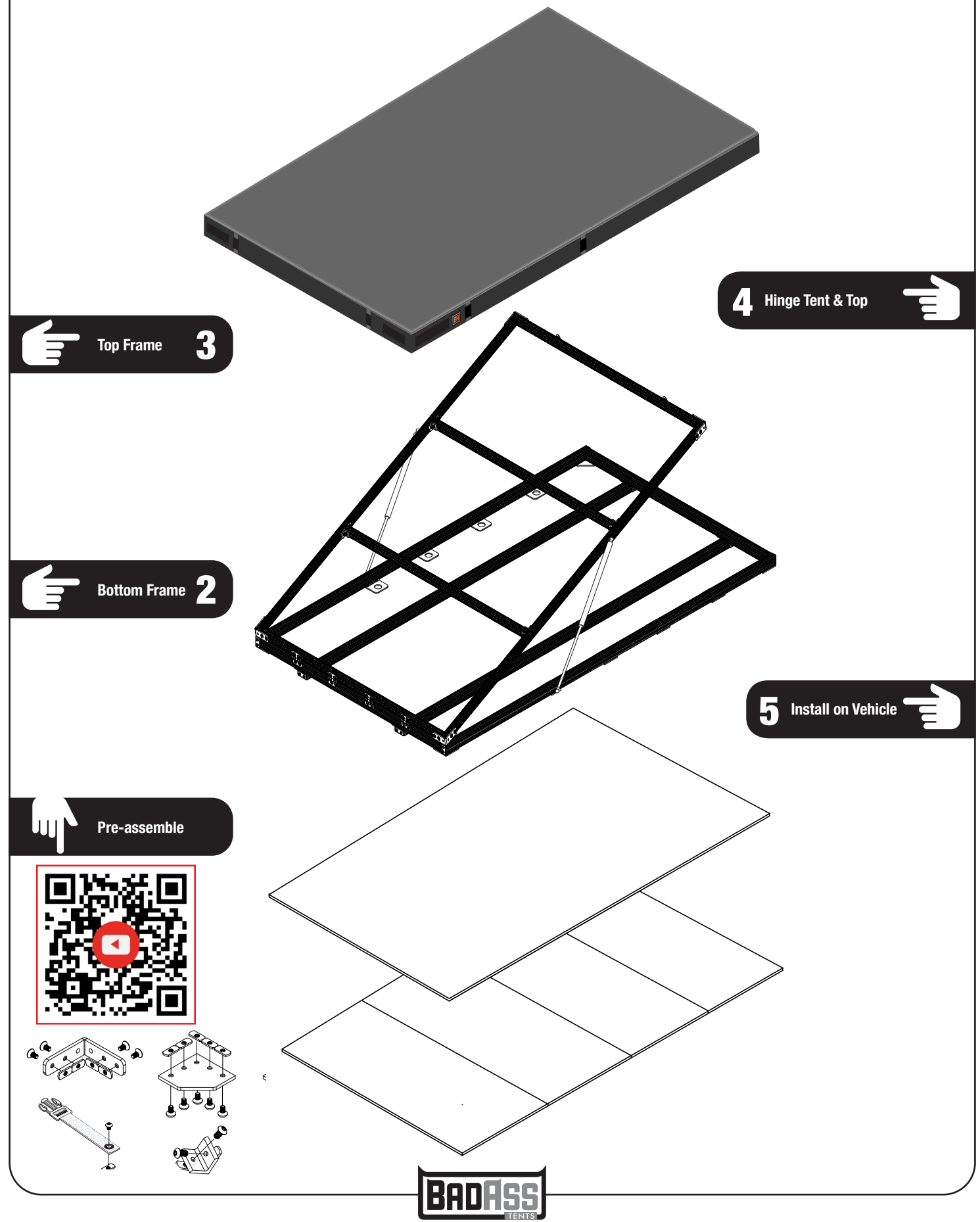
We recommend 2+ persons.
Start by laying out all pieces on a drop cloth and get a good sturdy 4x8' sheet of plywood on saw-horses to assemble on.



Segment pieces by sections.
Follow the order of the instructions - This will speed the process and give you a better understanding.
1 -> - 2 -> - 3

PACKOUT

FRAME ASSEMBLY – SECTIONS




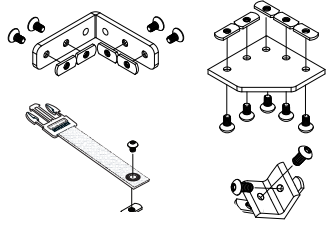

4 Hinge Tent & Top

5 Install on Vehicle

Top Frame 3

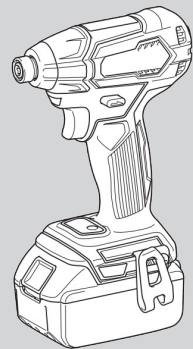
Bottom Frame 2

Pre-assemble



! TOOLS NEEDED FOR SUCCESS

Electric Driver



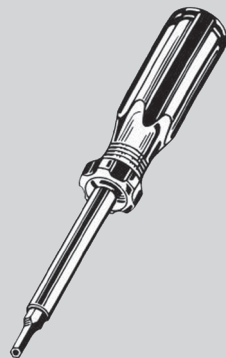
Adjustable speed driver.
Save your arm and get yourself an adjustable speed electric driver with a few extra battery. Make sure you start with full batteries.

5/32 Hex Bit



Get a longer bit if possible.
Nothing is better than a high-quality hex bit, try and avoid the cheap ones to keep your bolts from stripping

Screwdriver



Multi-bit screwdriver.
The easiest way to loosely tighten the bolts is using a screwdriver with the 5/32 hex bit head.

WHAT IS INCLUDED IN THE KIT

1x Frame Set:

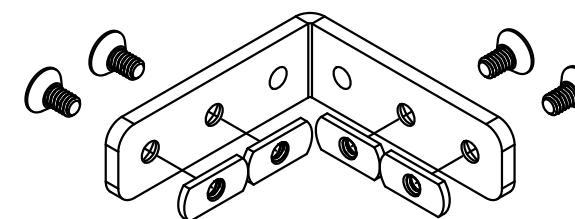
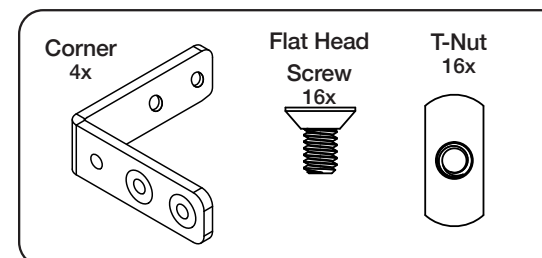
- 4x 78" 1020 Bars
- 2x 43" 1020 Bars
- 2x 78" 1010 Bars
- 4x 43" 1010 Bars
- 1x PACKOUT Tent 45 x 78, 57" Tall
- 1x RhinoTek® Tent Top
- 1x Floor Pad - 43.00 x 76.00
- 1x Pad Cover - 42.50 x 75.50
- 4x CoreRidged Floor panels
- 1x Utility Water Barrier .04 x 43 x 76"
- 8x 1020 END CAP

- 6x Floor Support Tab
- 4x Bottom Corner Plate
- 4x Corner Support Bracket, 16x Angle Brackets
- 1x Accessory Hook Set of 4pcs
- 4x Hinges Black
- 2x Gas Spring 900mm long
- 4x 1/4-20-FLAT WASHER S/S
- 40x 1/4-20 X 1/2 FLAT SOC CAP SCRW
- 120x 1/4-20 X 1/2 BTN SOC CAP SCREW
- 165x 1/4-20 10 S T-SLOT NUT
- 16x #12 x 3/4" Self Drilling Screw

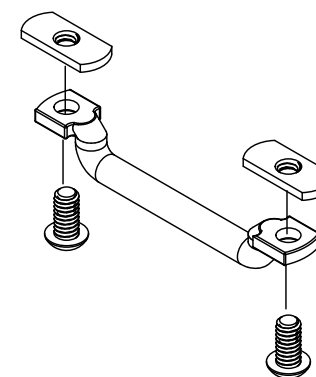
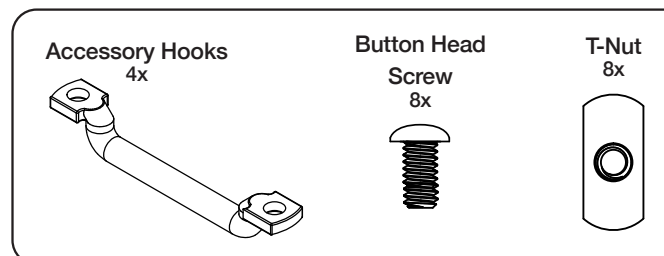
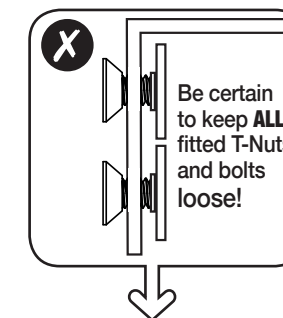
PRE-ASSEMBLY

1

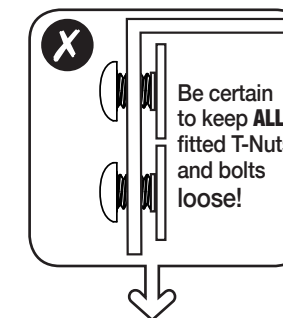
SCAN FOR VIDEO



Complete 4x Top Corner Brackets

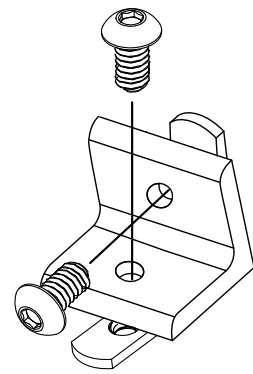
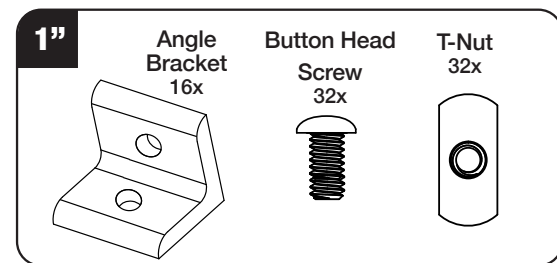


Complete 4x Accessory Hook Bracket

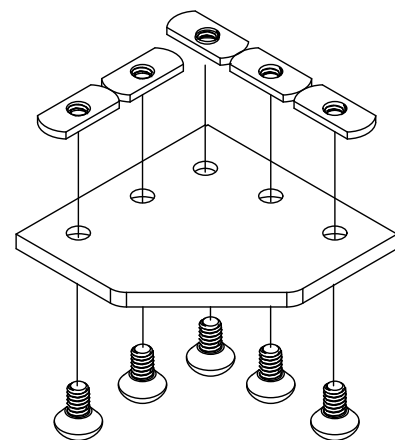
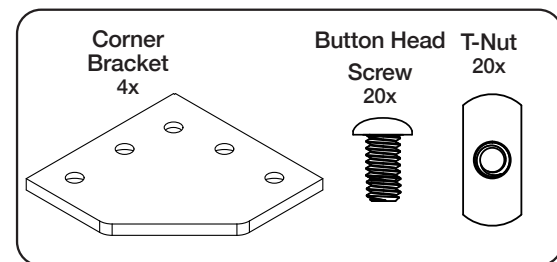
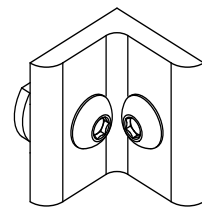
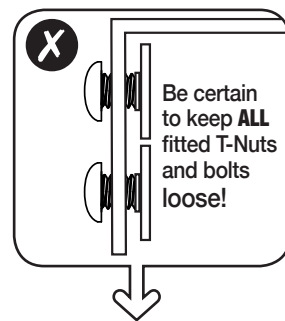


Every good ending has a smart beginning, follow a few of these simple Recommendations from our engineers.

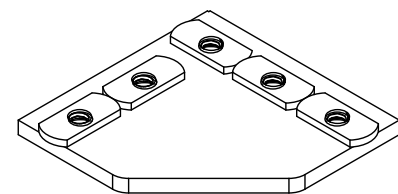
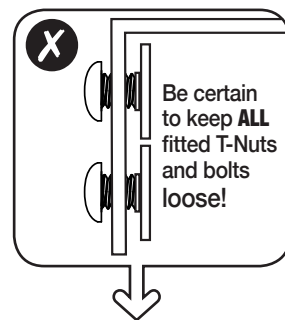
(CONTINUED)



Complete 16x Angle Brackets

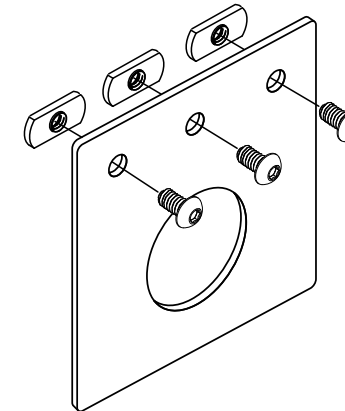
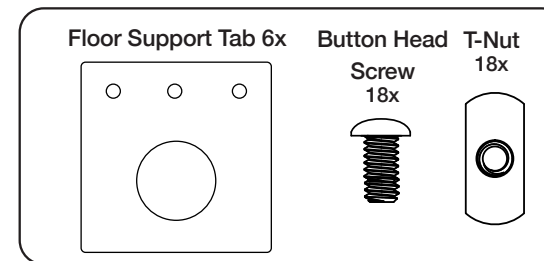


Complete 4x Bottom Corner Plate

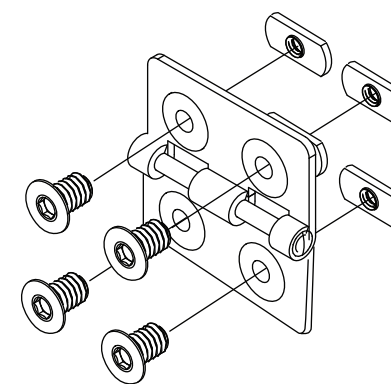
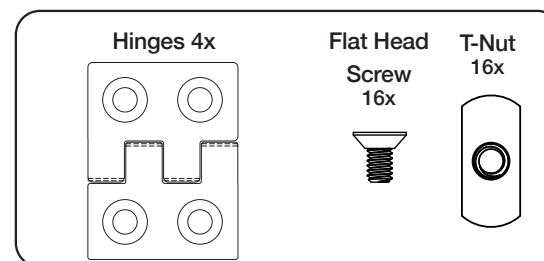
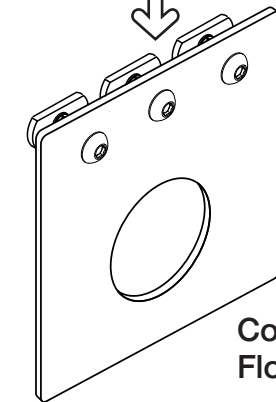
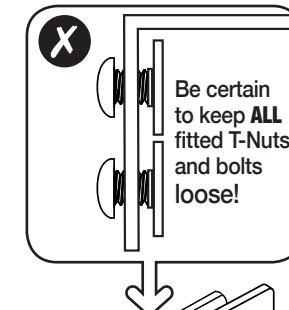


PACKOUT

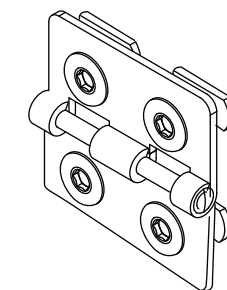
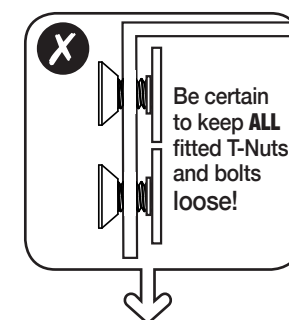
STEP 1 – PRE-ASSEMBLE BRACKETS



Complete 6x Floor Support Tab



Complete 4x Hinges



BOTTOM FRAME

2

SCAN FOR VIDEO

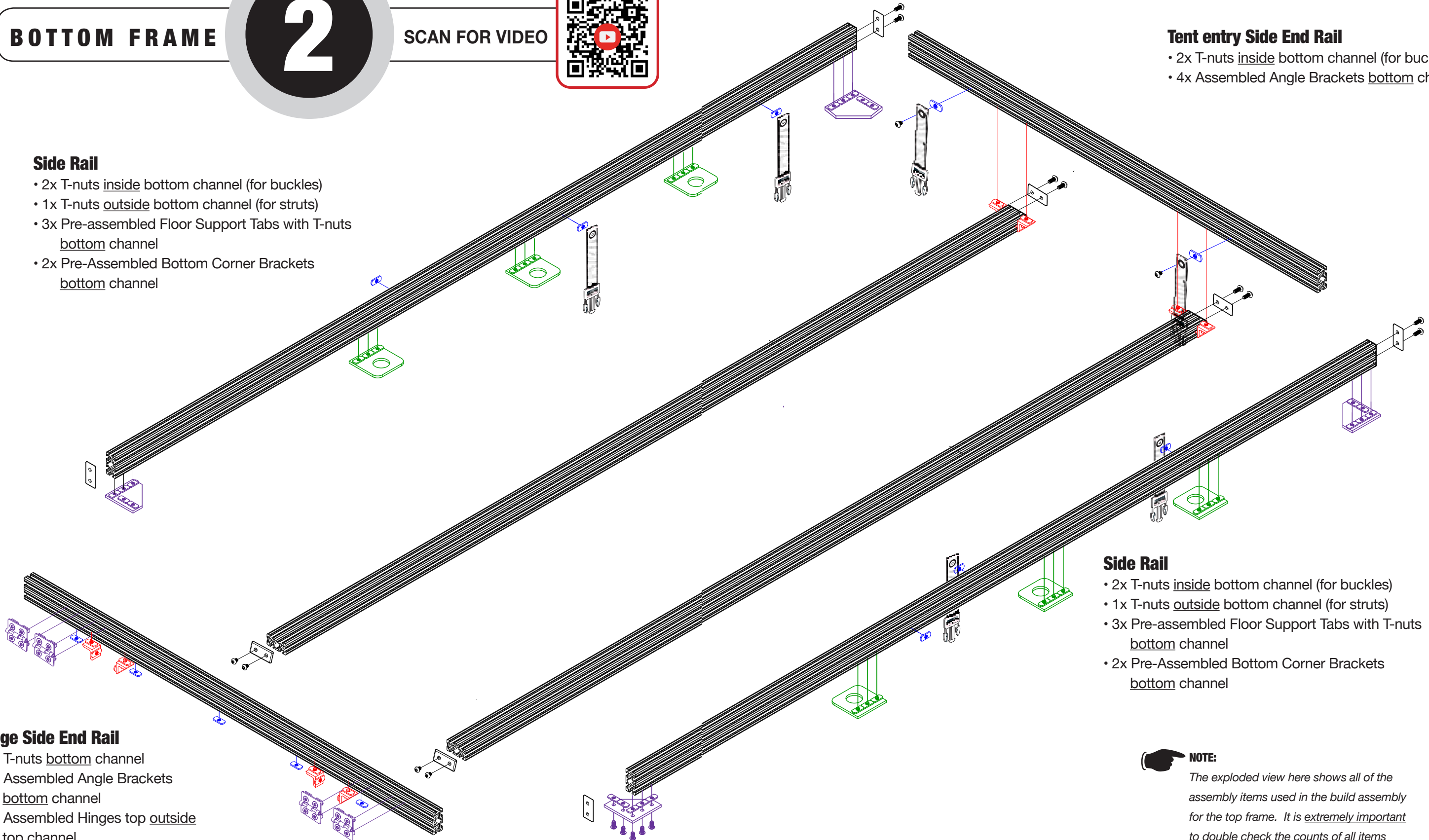


Side Rail

- 2x T-nuts inside bottom channel (for buckles)
- 1x T-nuts outside bottom channel (for struts)
- 3x Pre-assembled Floor Support Tabs with T-nuts bottom channel
- 2x Pre-Assembled Bottom Corner Brackets bottom channel

Tent entry Side End Rail

- 2x T-nuts inside bottom channel (for buckles)
- 4x Assembled Angle Brackets bottom channel



Side Rail

- 2x T-nuts inside bottom channel (for buckles)
- 1x T-nuts outside bottom channel (for struts)
- 3x Pre-assembled Floor Support Tabs with T-nuts bottom channel
- 2x Pre-Assembled Bottom Corner Brackets bottom channel

Hinge Side End Rail

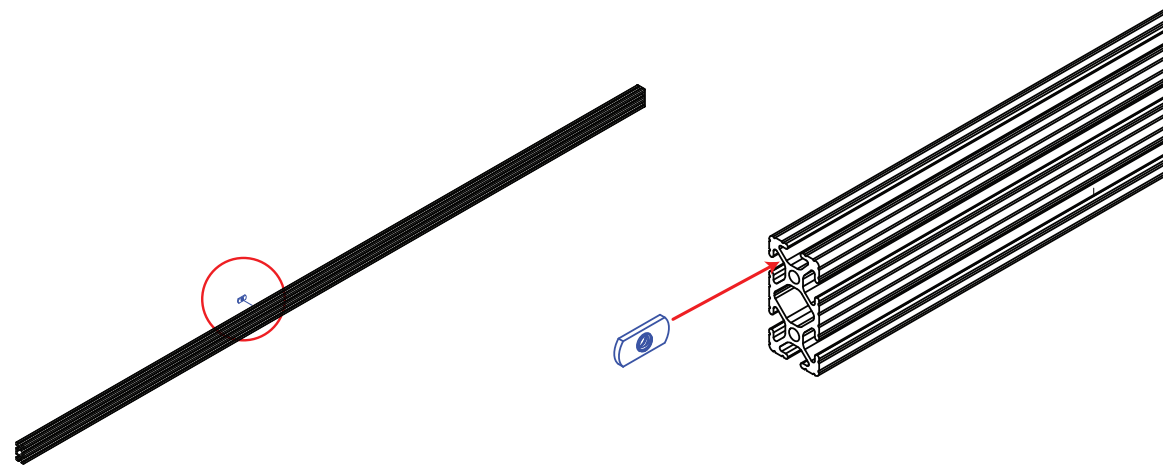
- 5x T-nuts bottom channel
- 4x Assembled Angle Brackets bottom channel
- 4x Assembled Hinges top outside top channel

NOTE:

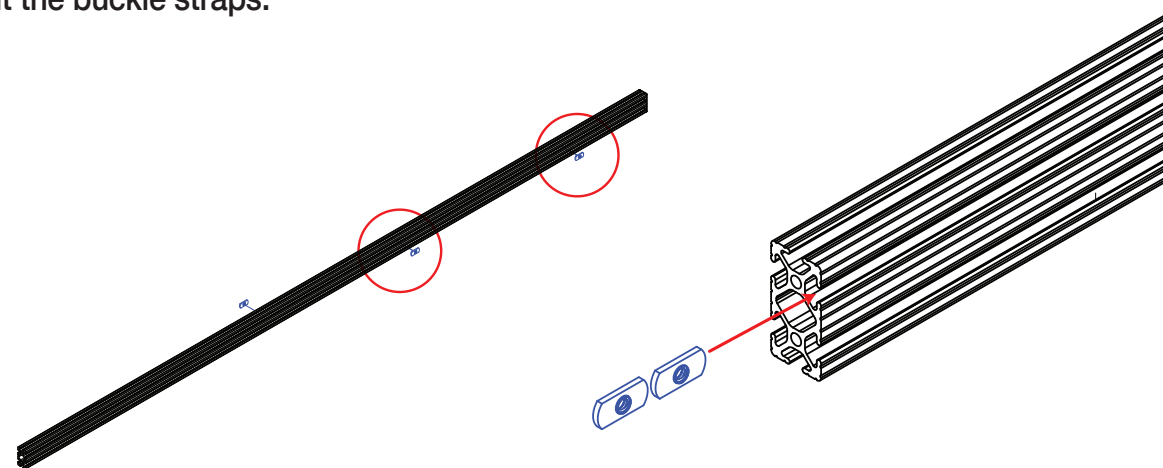
The exploded view here shows all of the assembly items used in the build assembly for the top frame. It is *extremely important* to double check the counts of all items before you assemble to avoid disassembly and reassembly to add missing pieces.

PACKOUT.

1) Starting with a 78" long rail, insert 1x T-nut into the top outside rail towards the middle as shown to mount the strut.

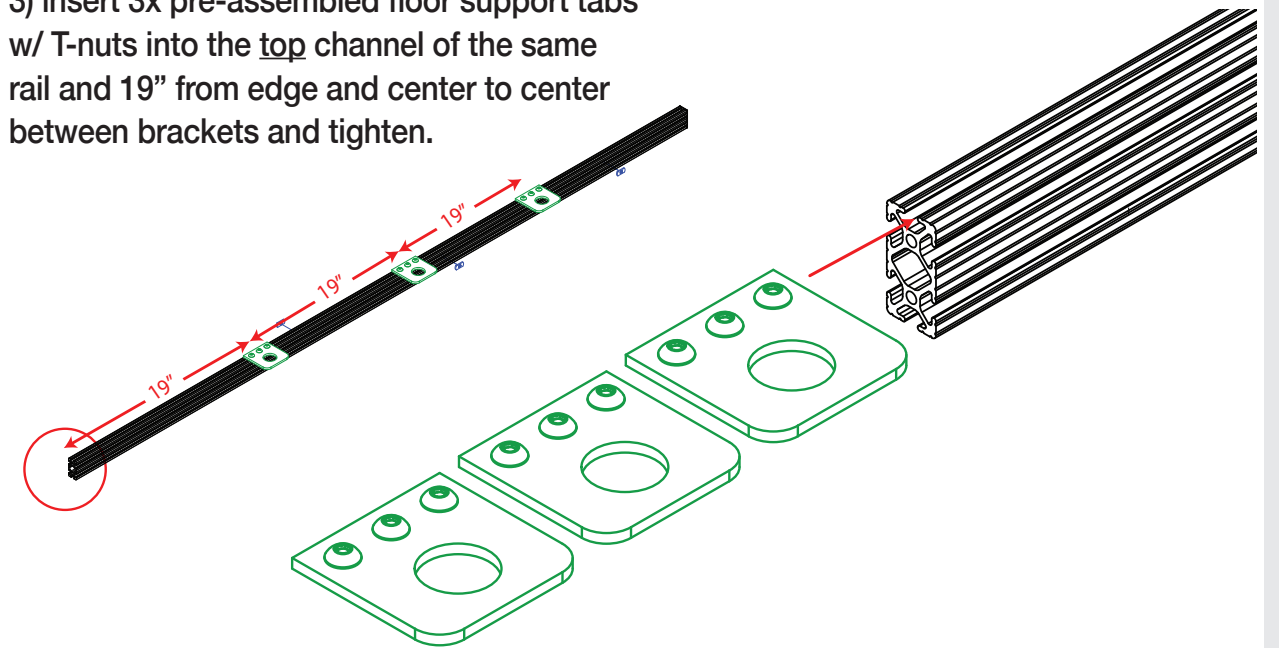


2) insert 2x T-nuts into the inside top channel and slide to the opposite end as shown to mount the buckle straps.

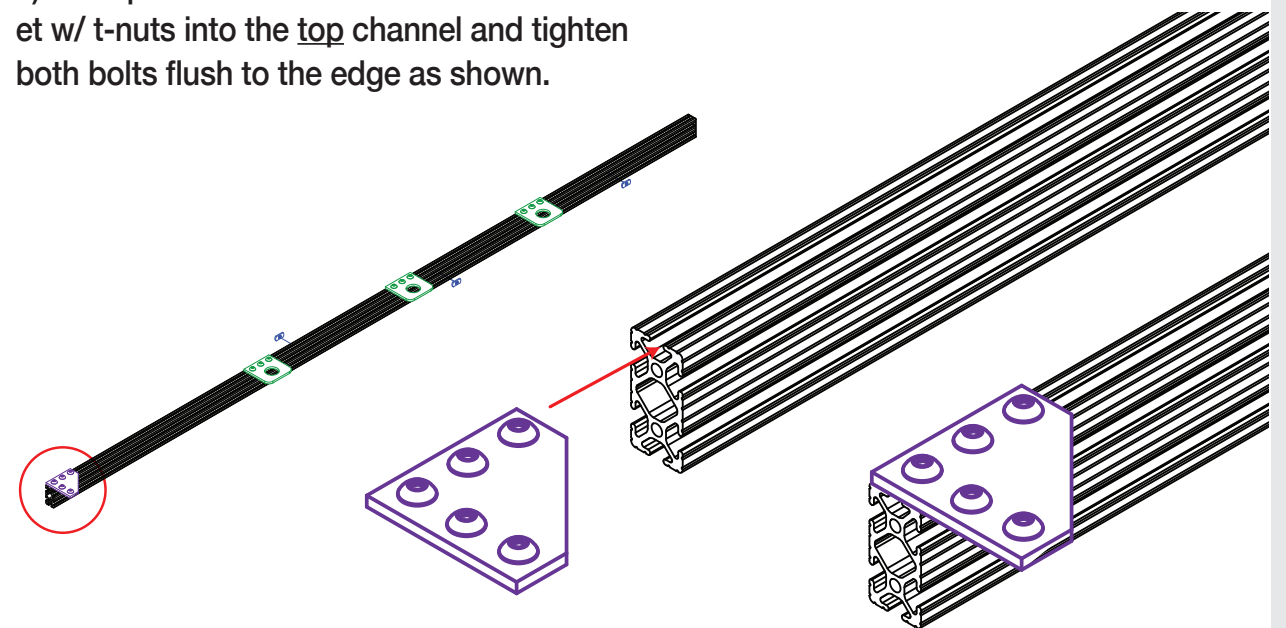


PACKOUT.

3) insert 3x pre-assembled floor support tabs w/ T-nuts into the top channel of the same rail and 19" from edge and center to center between brackets and tighten.

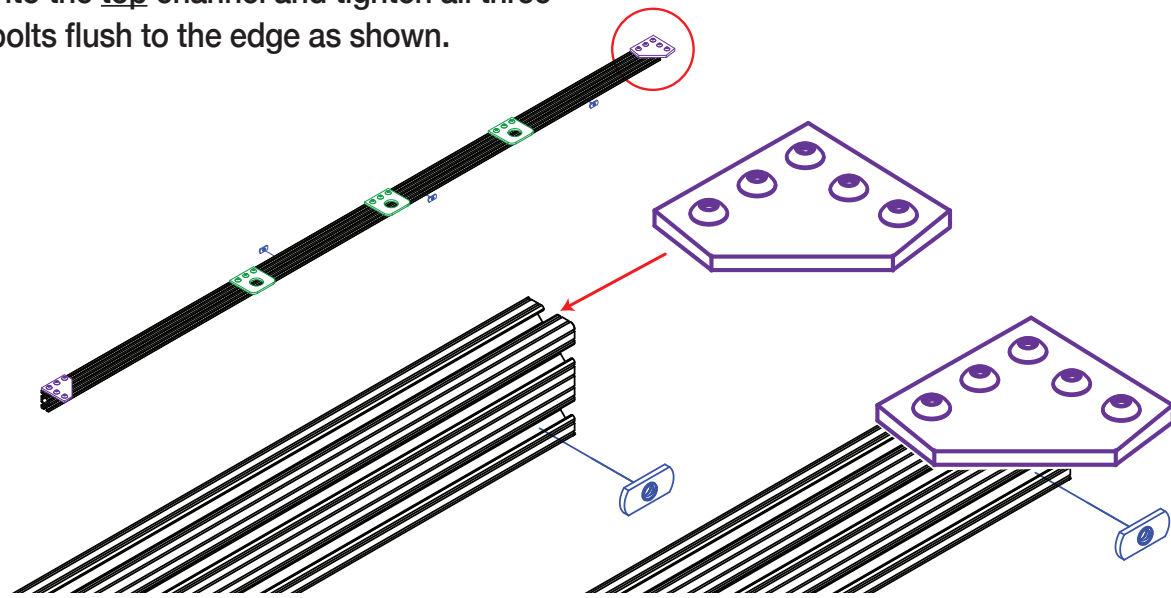


4) Slide pre-assembled bottom Corner Bracket w/ t-nuts into the top channel and tighten both bolts flush to the edge as shown.

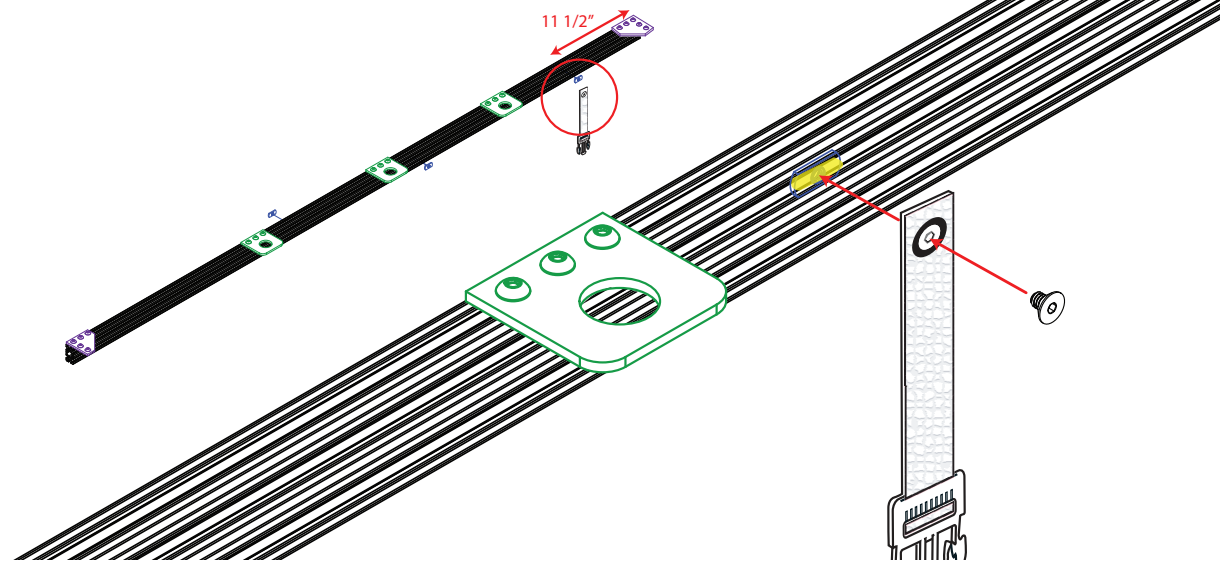


PACKOUT.

5) On the opposite side top channel, Slide pre-assembled bottom Corner Bracket w/ T-nuts into the top channel and tighten all three bolts flush to the edge as shown.

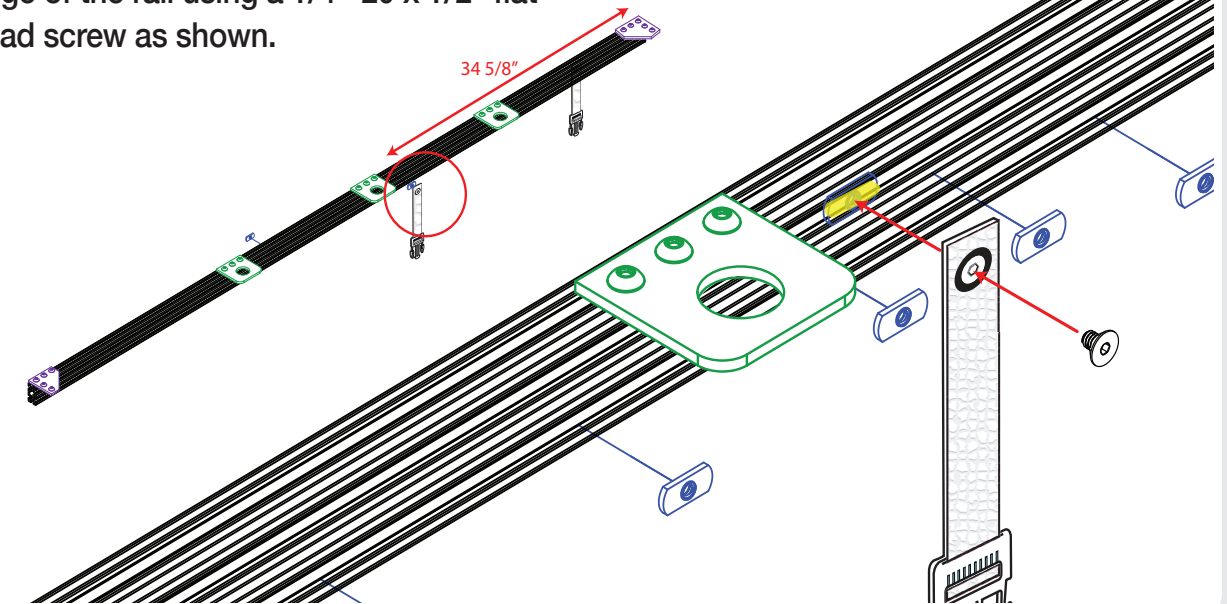


6) Attach the buckle strap to the inside top channel T-nut 11 1/2" from the edge of the rail using a 1/4"-20 x 1/2" flat head screw as shown.

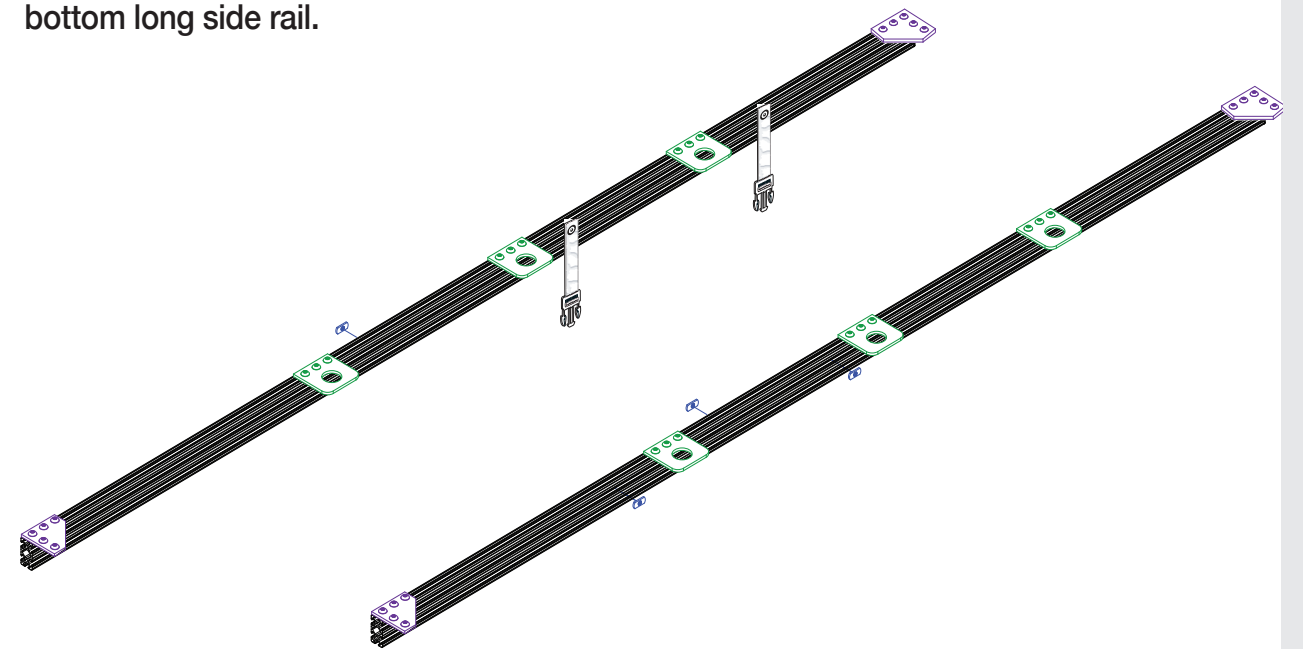


PACKOUT.

7) Attach the second buckle strap to the inside top channel T-nut 34 5/8" from the edge of the rail using a 1/4"-20 x 1/2" flat head screw as shown.

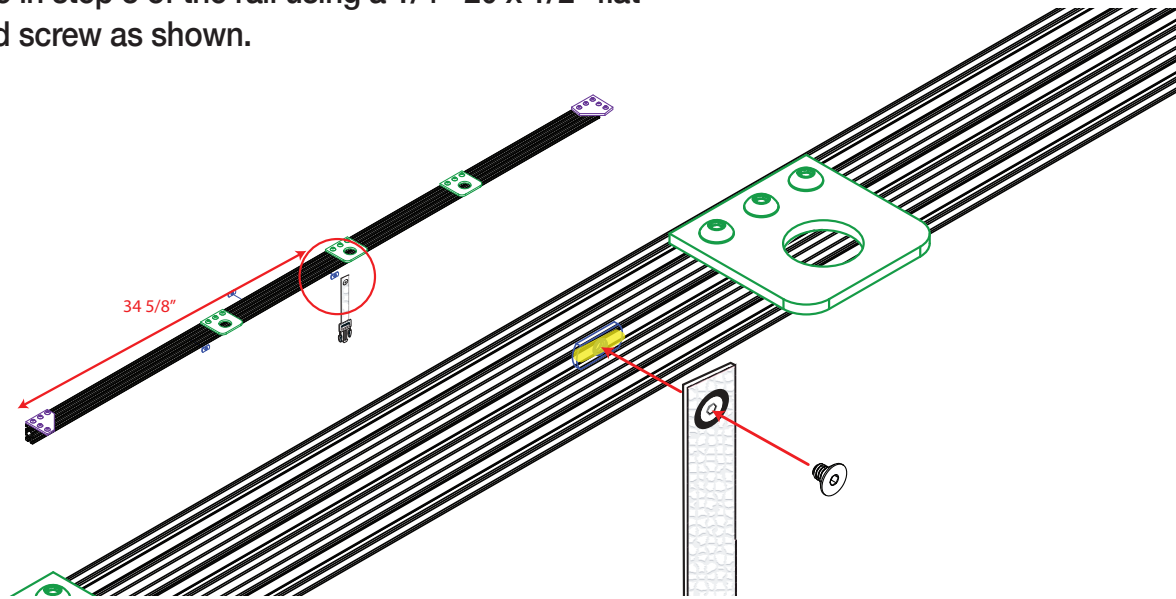


8) Repeat steps 1-7 to create a mirrored bottom long side rail.

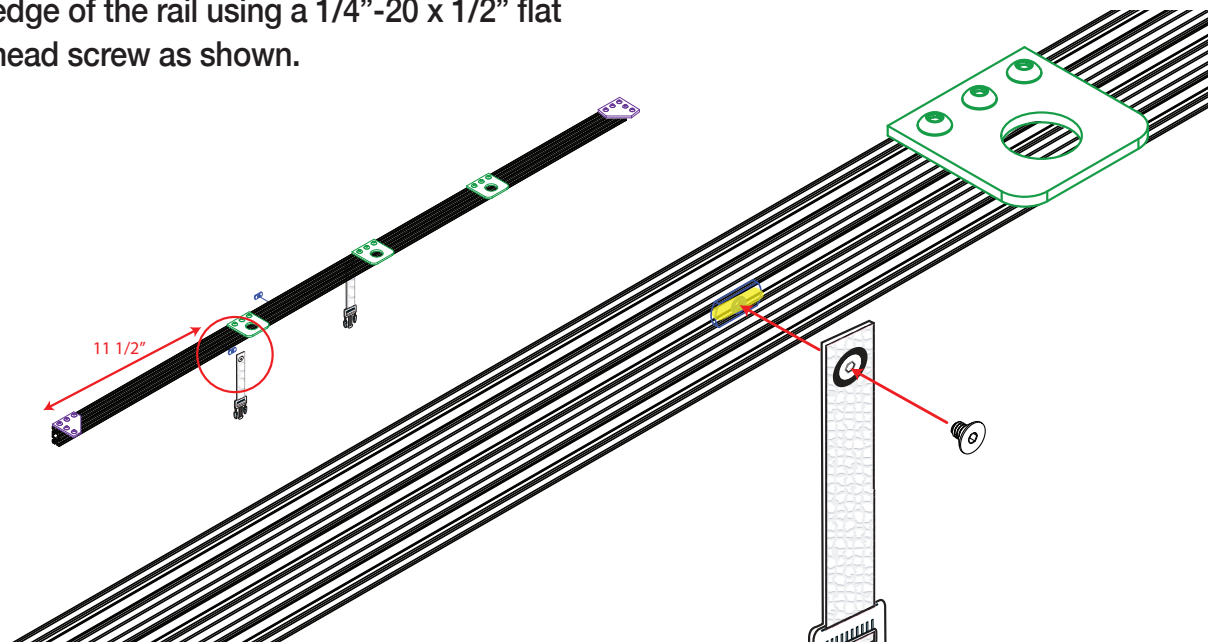


PACKOUT.

9) Attach a buckle strap to the inside top channel T-nut 34 5/8" from the opposite edge in step 8 of the rail using a 1/4"-20 x 1/2" flat head screw as shown.

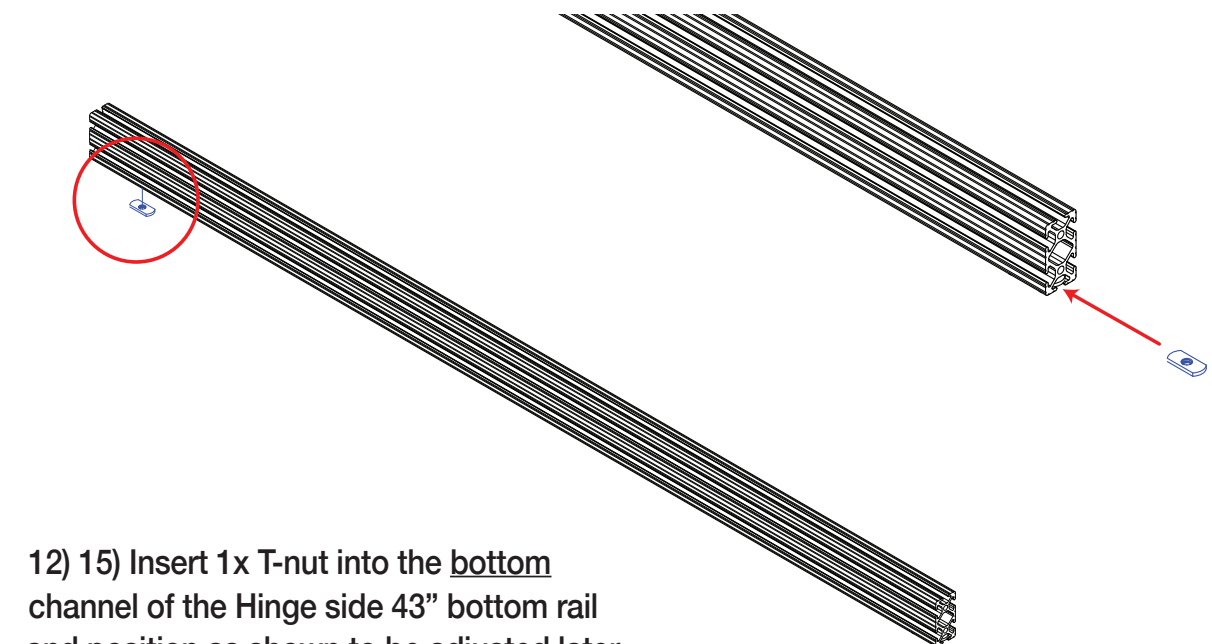
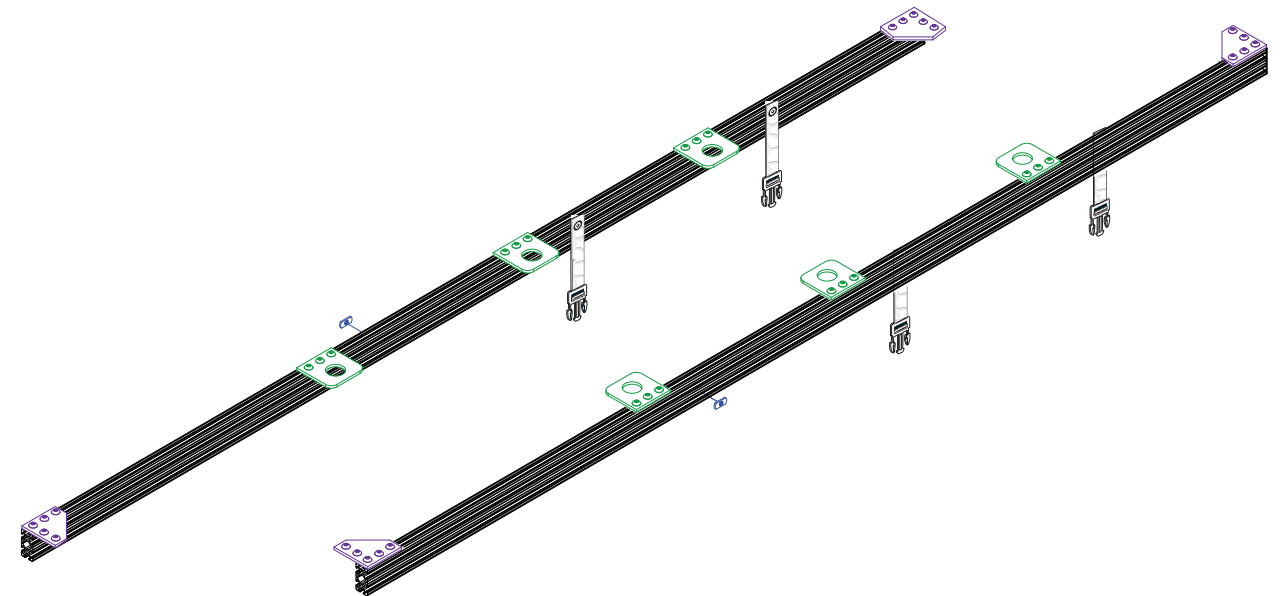


10) Attach the second buckle strap to the inside top channel T-nut 11 1/2" from the edge of the rail using a 1/4"-20 x 1/2" flat head screw as shown.

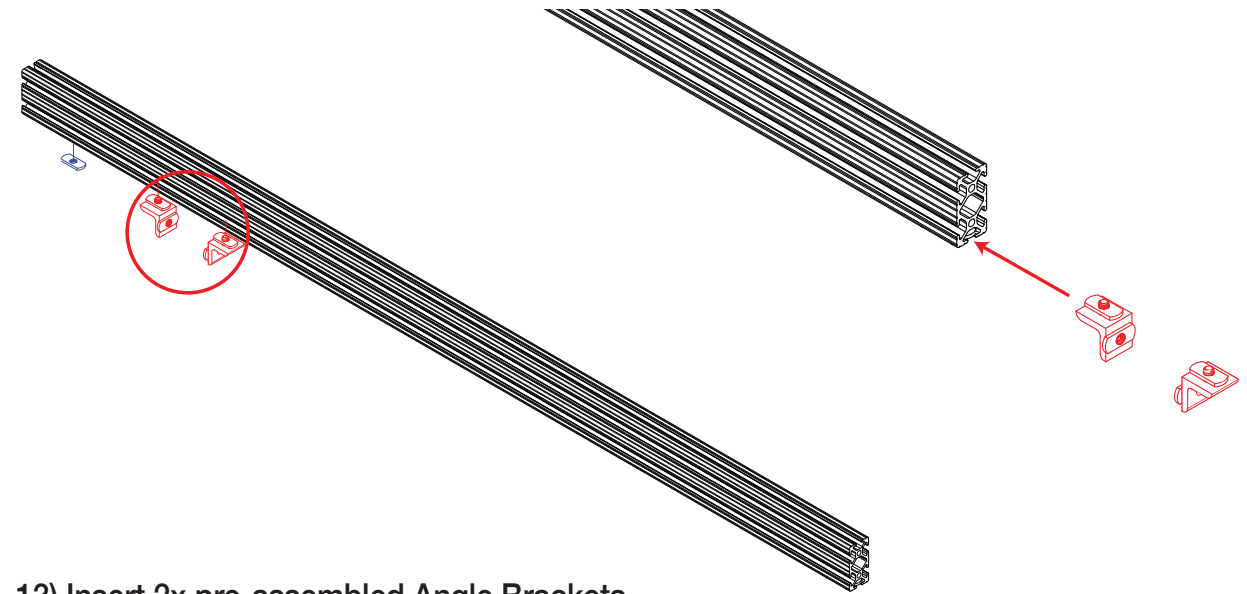


PACKOUT.

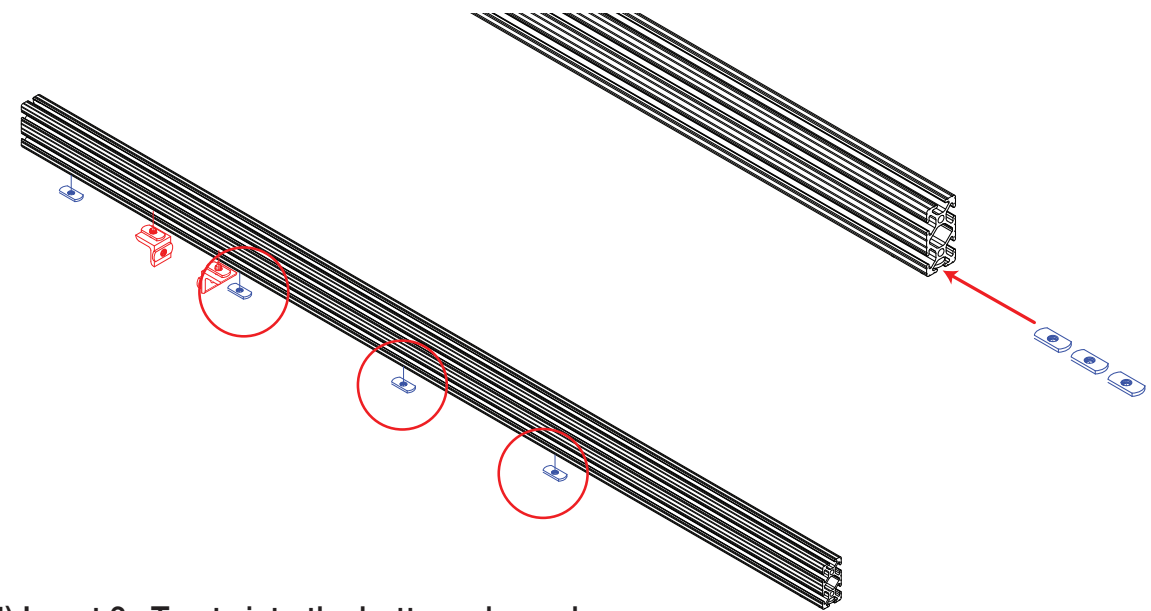
11) Spin the second rail around and make sure that both rails now mirror each other as shown.



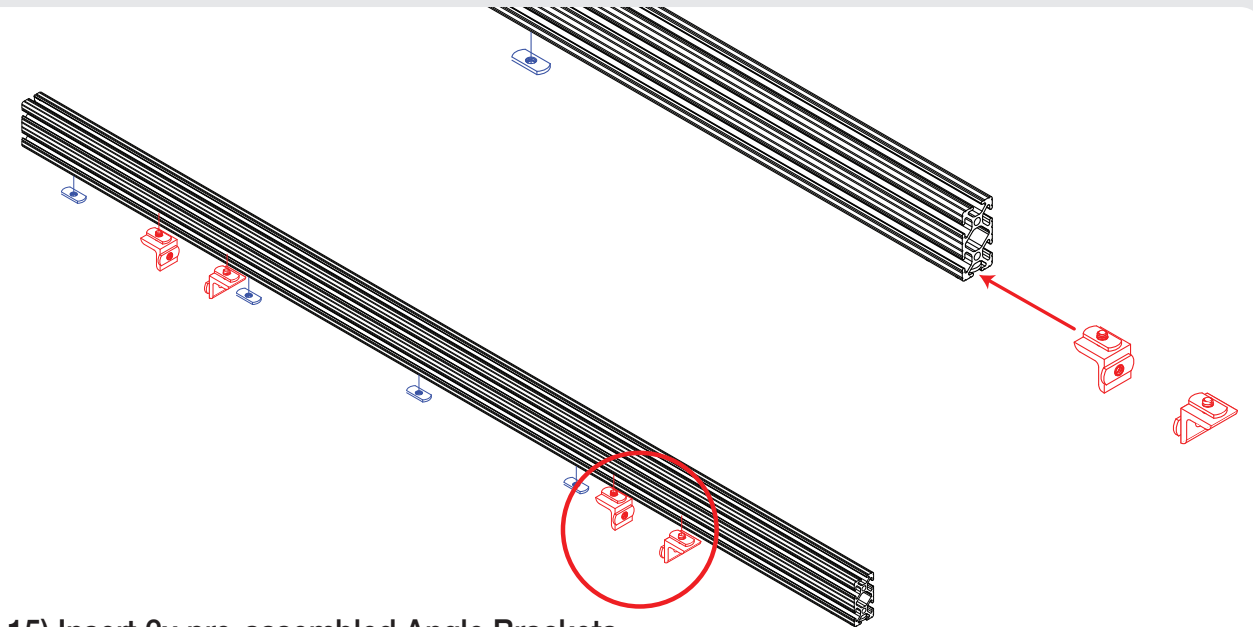
12) 15) Insert 1x T-nut into the bottom channel of the Hinge side 43" bottom rail and position as shown to be adjusted later, these will hold the cover.



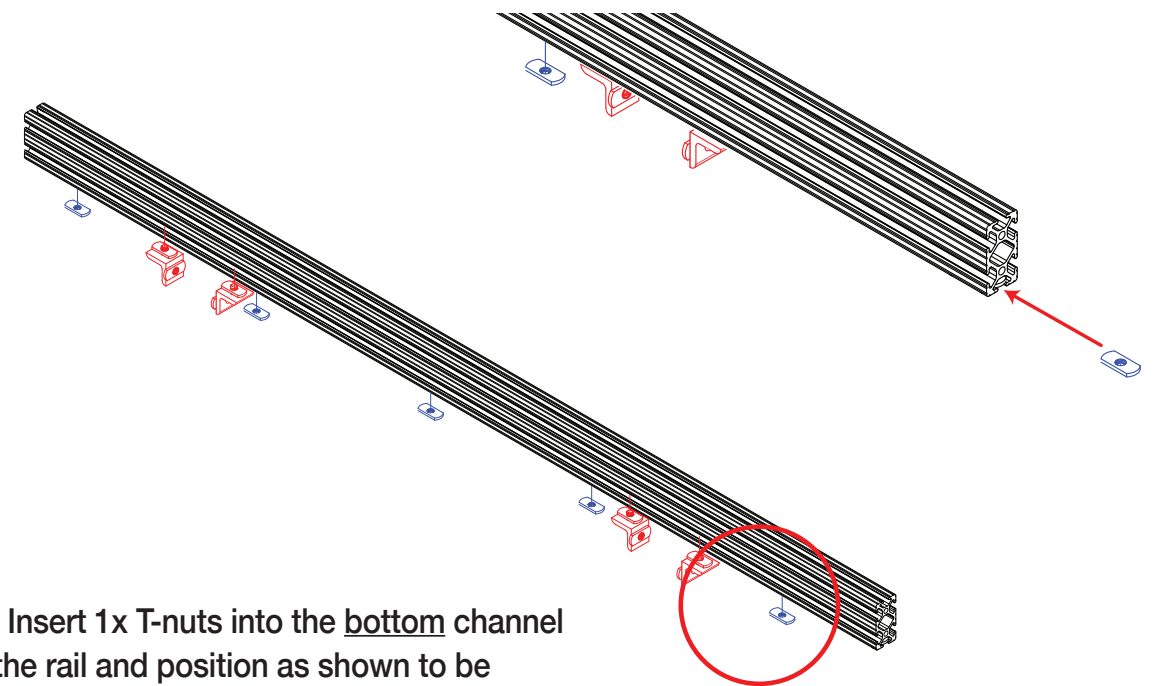
13) Insert 2x pre-assembled Angle Brackets w/ T-nuts into the bottom channel of the rail and position as shown to be adjusted later.



14) Insert 3x T-nuts into the bottom channel of the rail and position as shown to be adjusted later, these will also hold the cover.

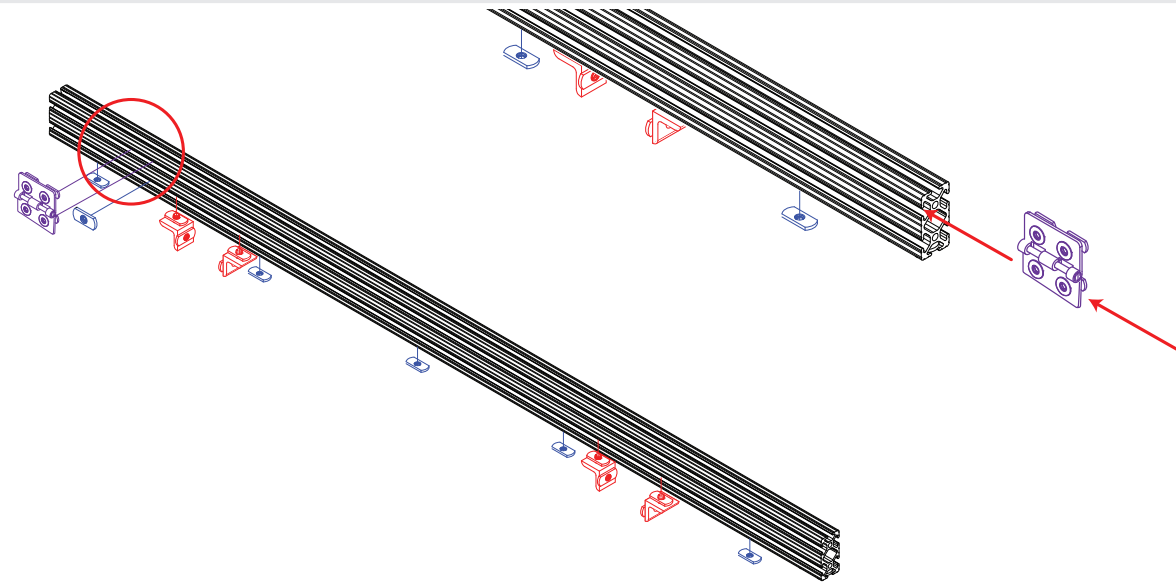


15) Insert 2x pre-assembled Angle Brackets w/ T-nuts into the bottom channel of the rail and position as shown to be adjusted later.

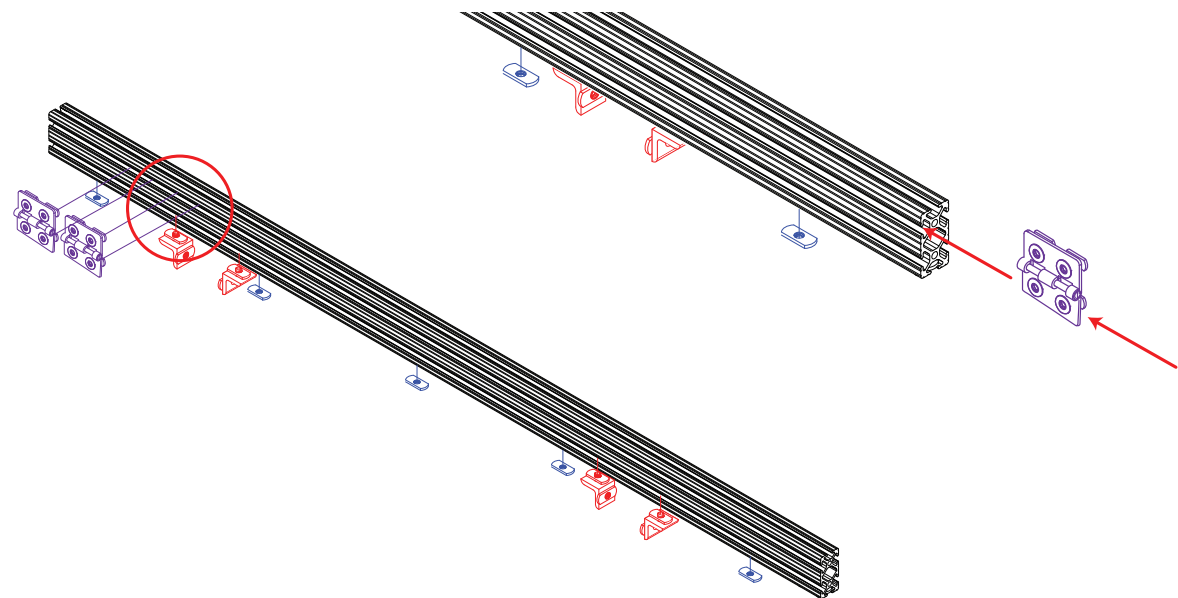


16) Insert 1x T-nuts into the bottom channel of the rail and position as shown to be adjusted later, these will hold the cover.

PACKOUT.

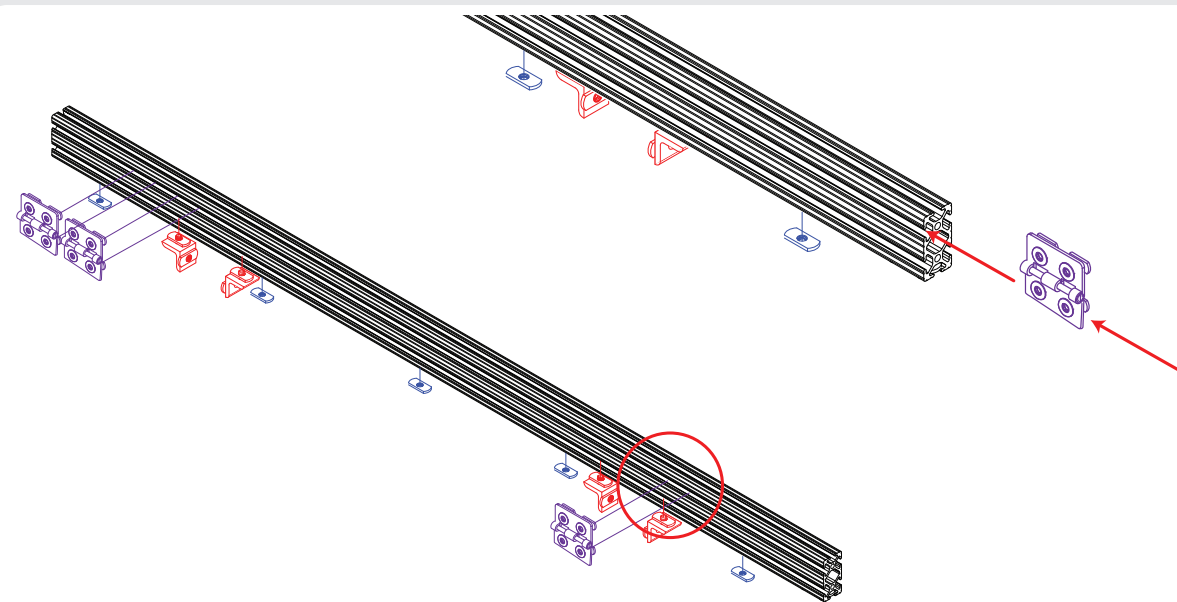


17) Insert 1x pre-assembled Hinge w/ T-nuts into the top outside channel of the rail and slide 7" from left the edge and tighten.

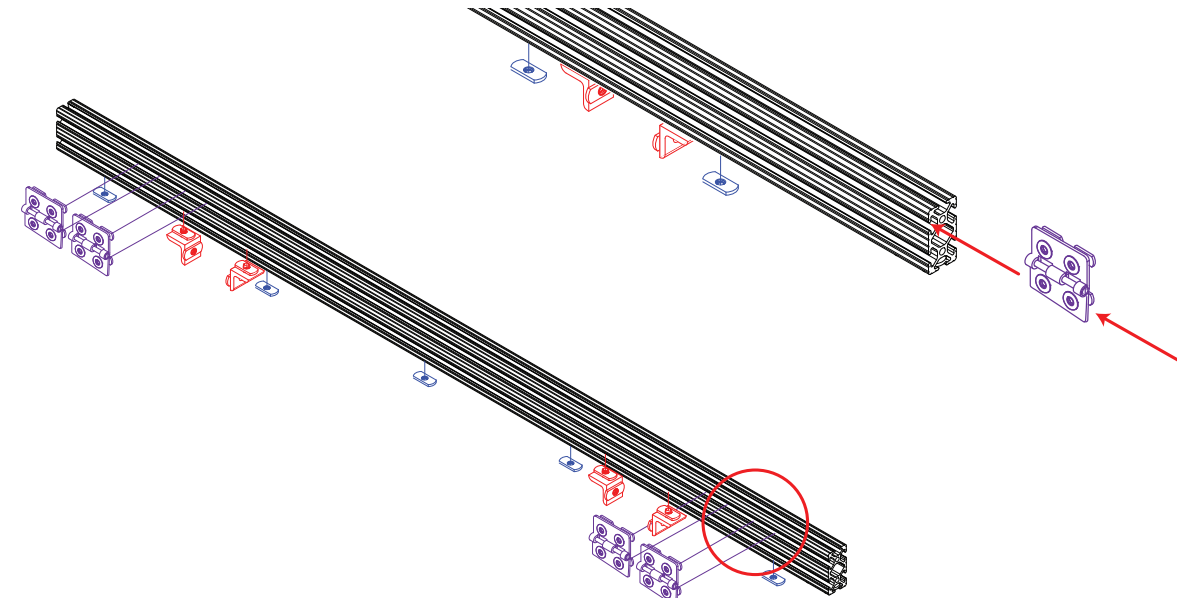


18) Insert 1x pre-assembled Hinge w/ T-nuts, into the top outside channel of the rail and butt up against the last edge of Hinge and tighten.

PACKOUT.

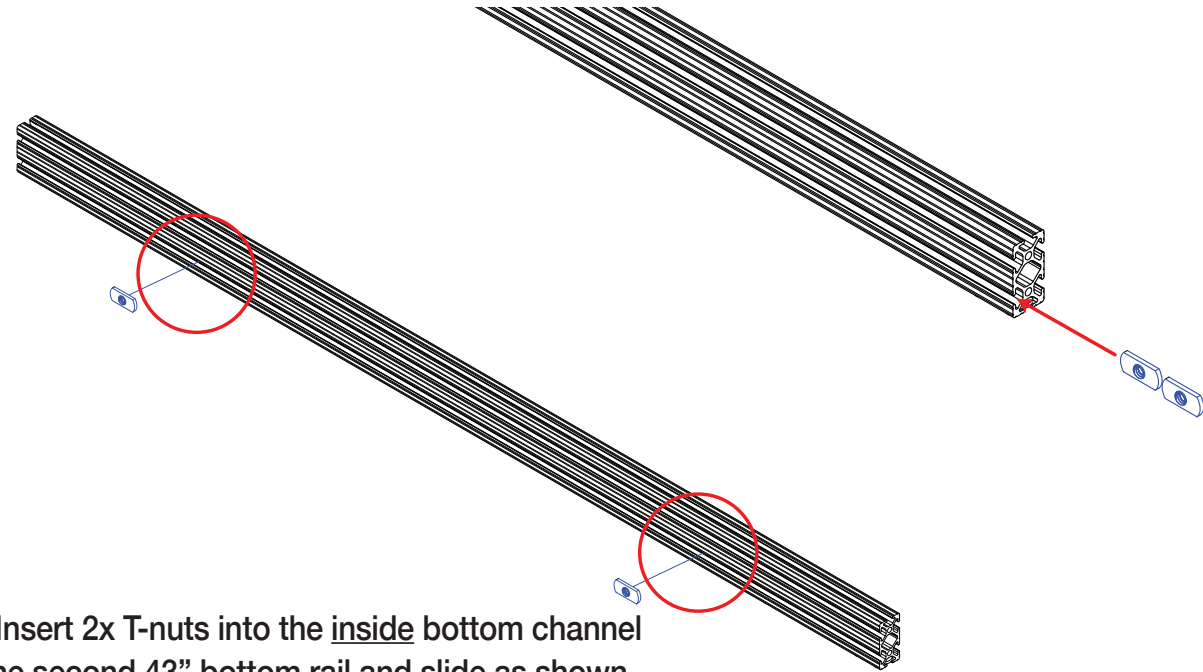


19) Insert 1x pre-assembled Hinge w/ T-nuts into the top outside channel of the rail and slide 9.25" from the last edge of Hinge and tighten.

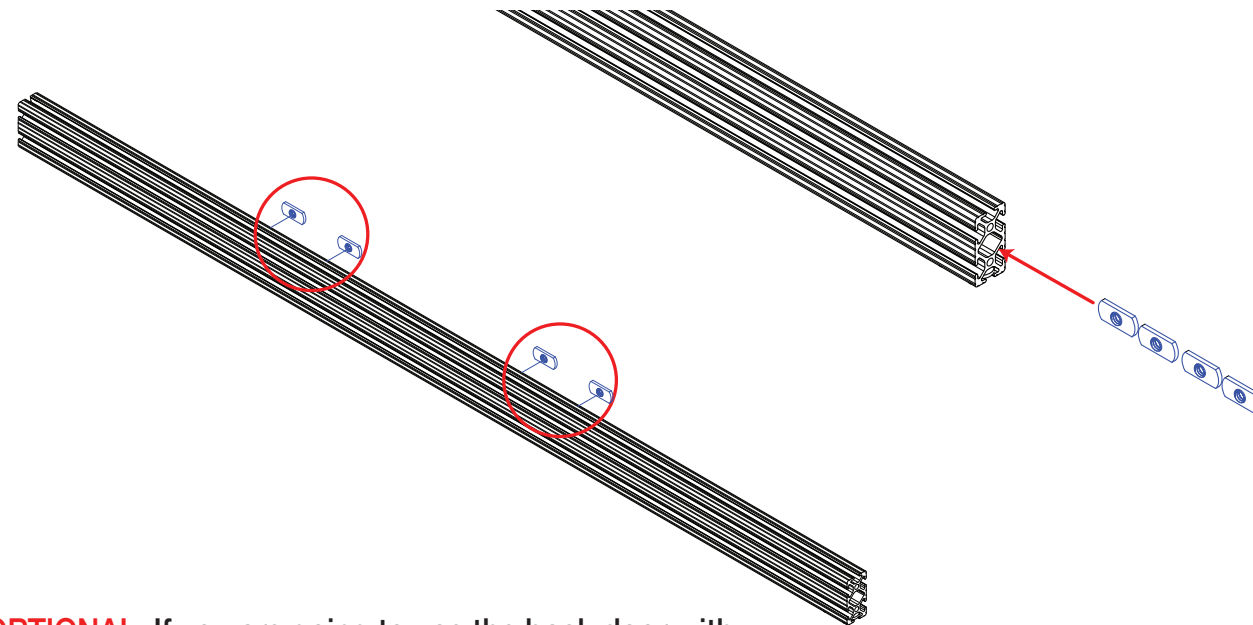


20) Insert 1x pre-assembled Hinge w/ T-nuts, into the top outside channel of the rail and butt up against the last edge of Hinge and tighten.

PACKOUT.

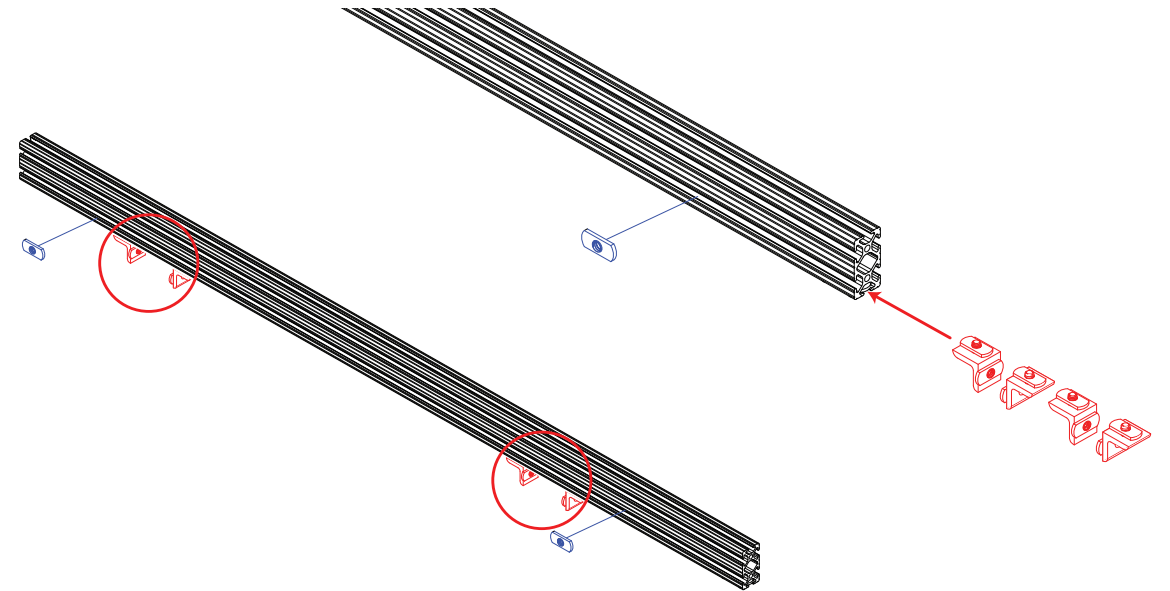


21) Insert 2x T-nuts into the inside bottom channel of the second 43" bottom rail and slide as shown to be adjusted later, these will mount the buckles.

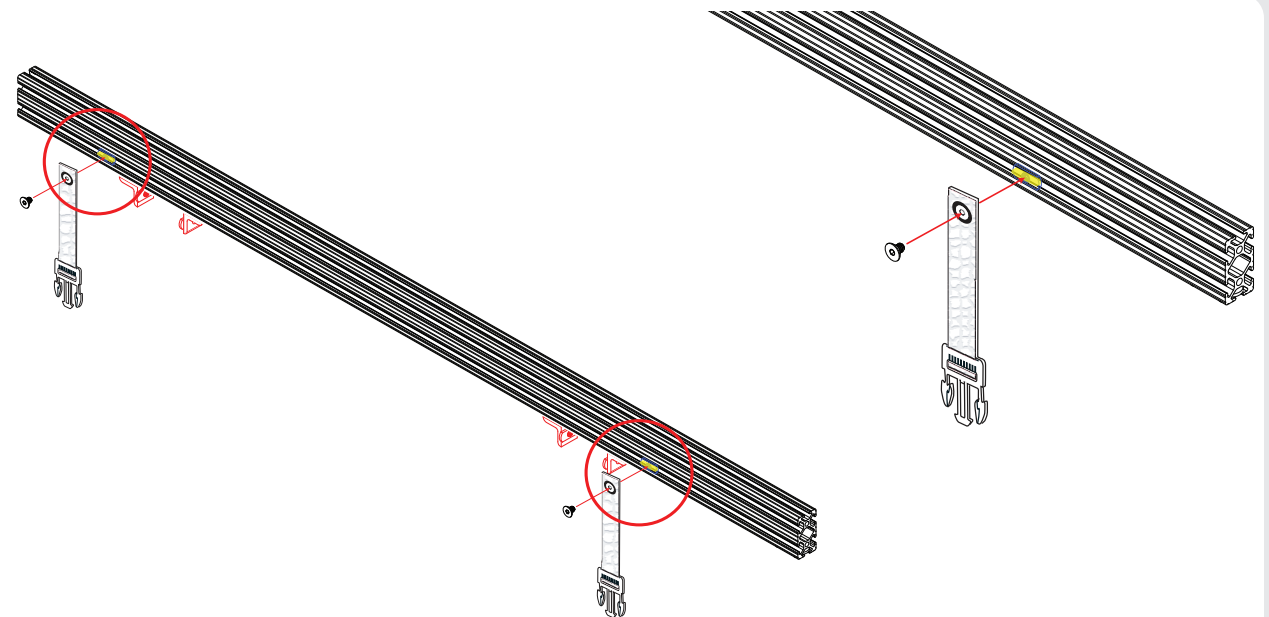


OPTIONAL: If you are going to use the back door with our telescoping ladder, then insert 4x T-nuts from the ladder kit into the same bottom rail as shown

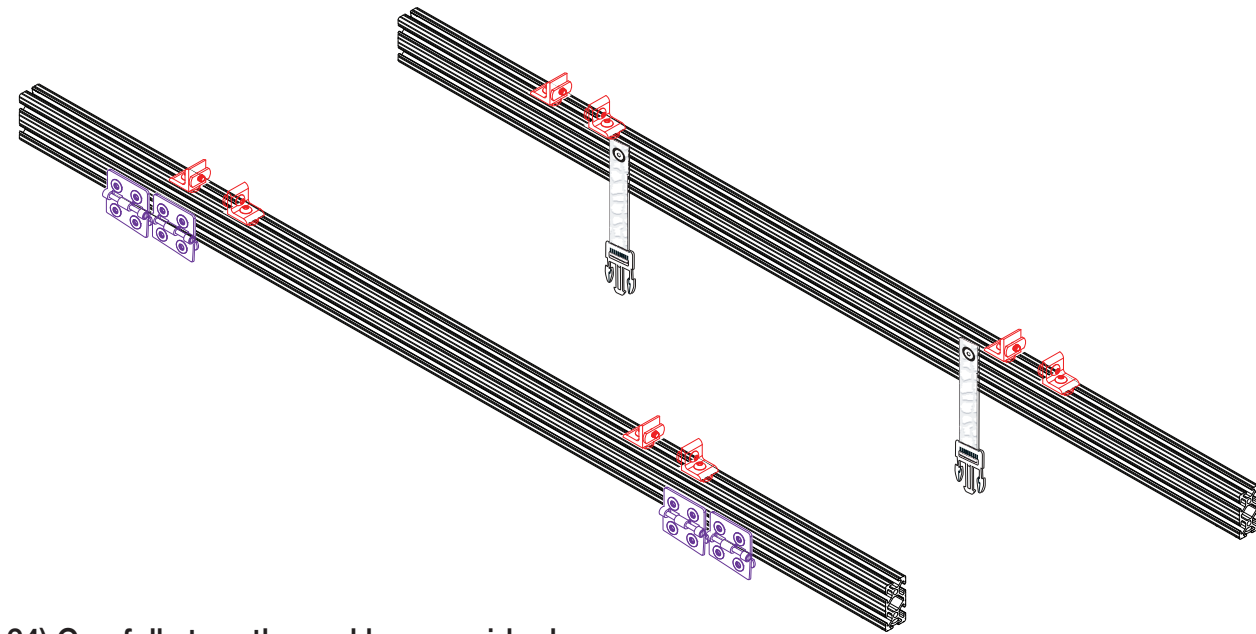
PACKOUT.



22) Insert 4x pre-assembled Angle Brackets w/ T-nuts into the bottom channel of the rail and slide as shown to be adjusted later.

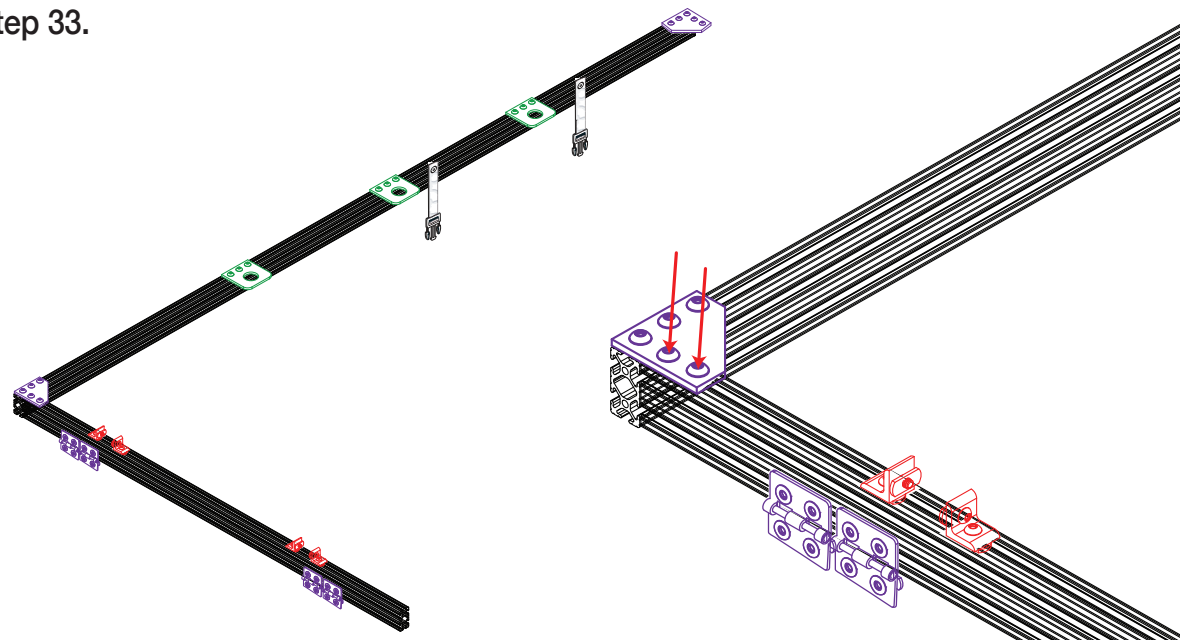


23) Attach the Buckle Straps to the inside bottom channel T-nut 7 1/2" from either edge of the rail using a 1/4"-20 x 1/2" flat head screw as shown. **Double check all hardware is in the rail as shown.**

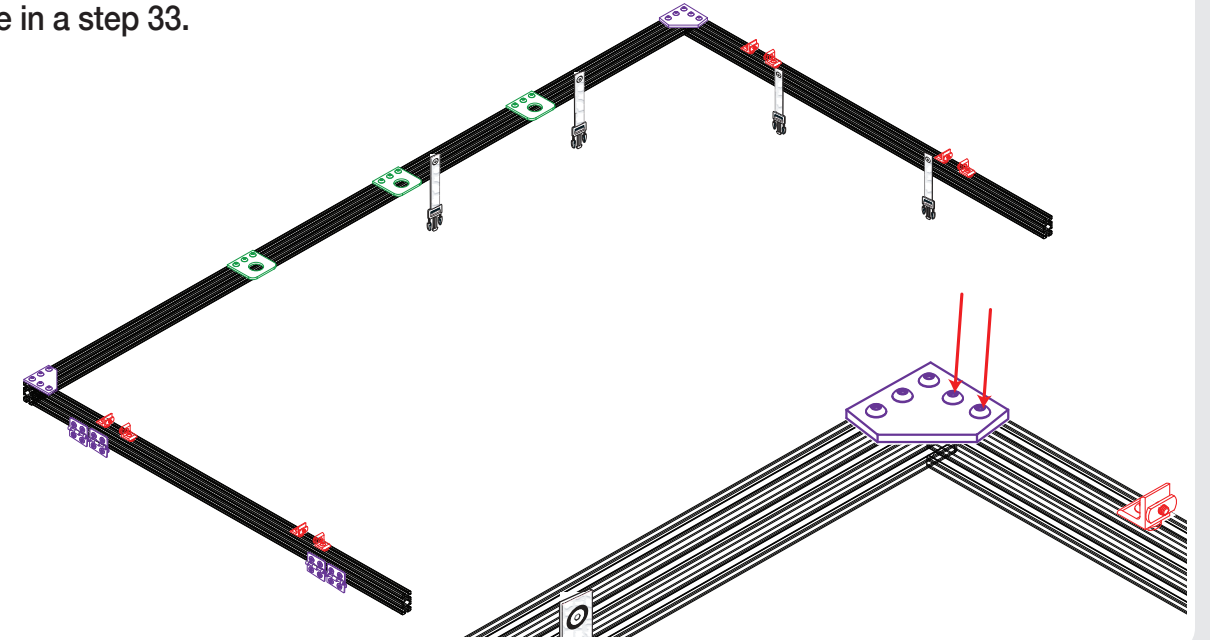


24) Carefully turn the end bars upside down without dropping out all of the T-nuts as shown.

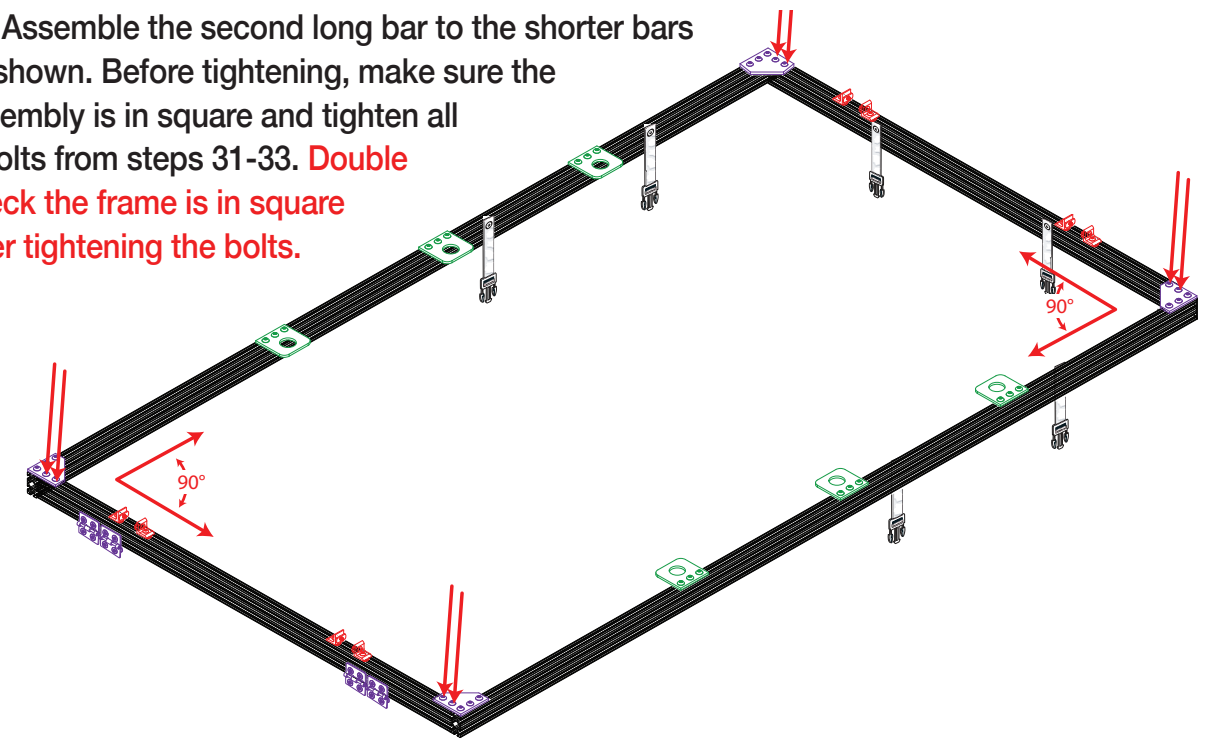
25) Assemble the forward shorter bar, with Hinges, to the side bar as shown loosely tighten bolts to square in a step 33.



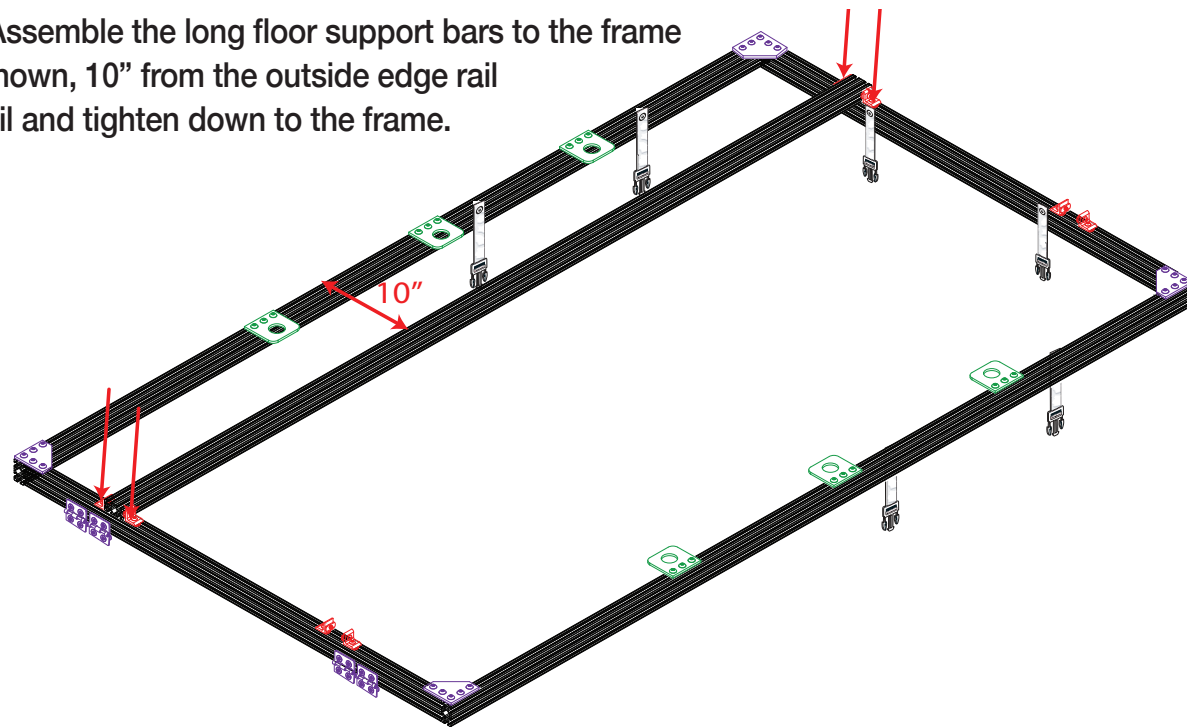
26) Assemble the rear shorter bar to the same side bar as shown, loosely tighten bolts to square in a step 33.



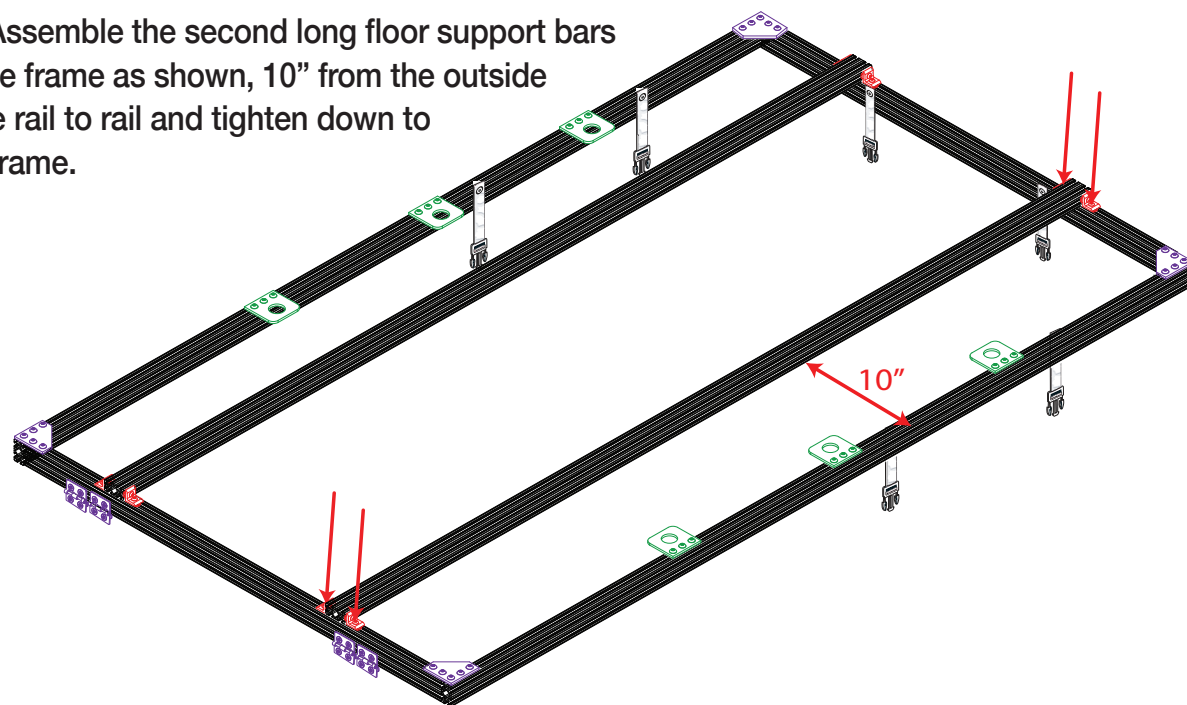
27) Assemble the second long bar to the shorter bars as shown. Before tightening, make sure the assembly is in square and tighten all 8 bolts from steps 31-33. **Double check the frame is in square after tightening the bolts.**



28) Assemble the long floor support bars to the frame as shown, 10" from the outside edge rail to rail and tighten down to the frame.

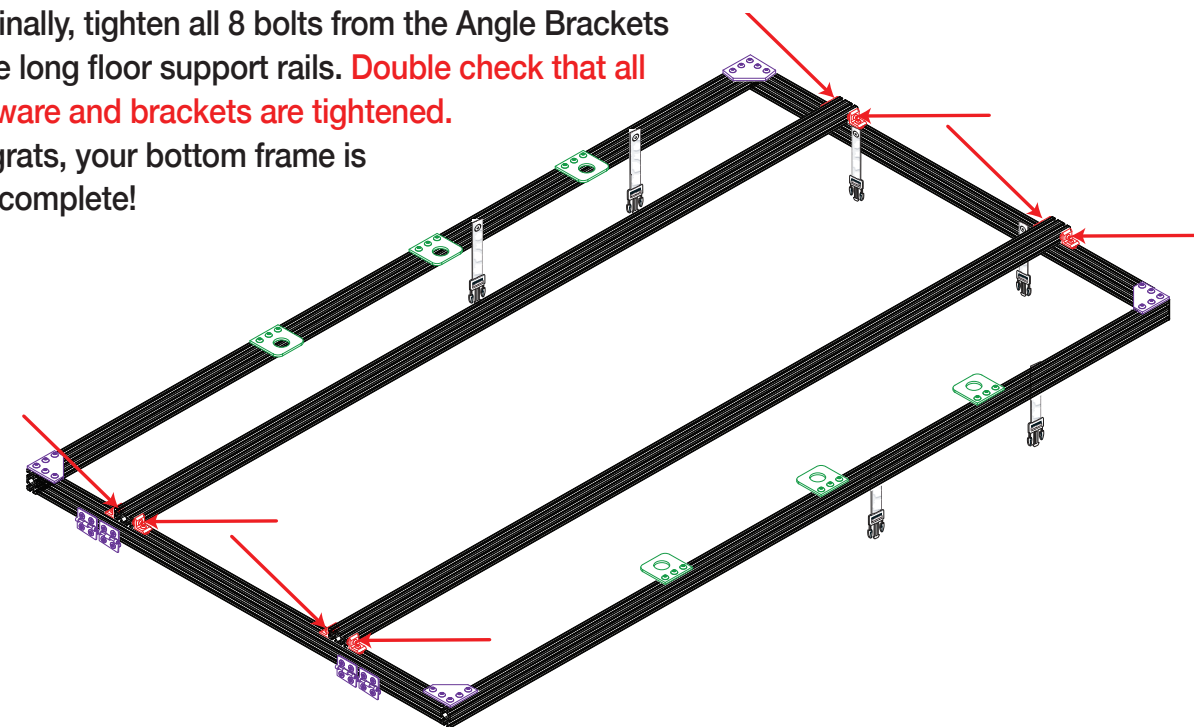


29) Assemble the second long floor support bars to the frame as shown, 10" from the outside edge rail to rail and tighten down to the frame.

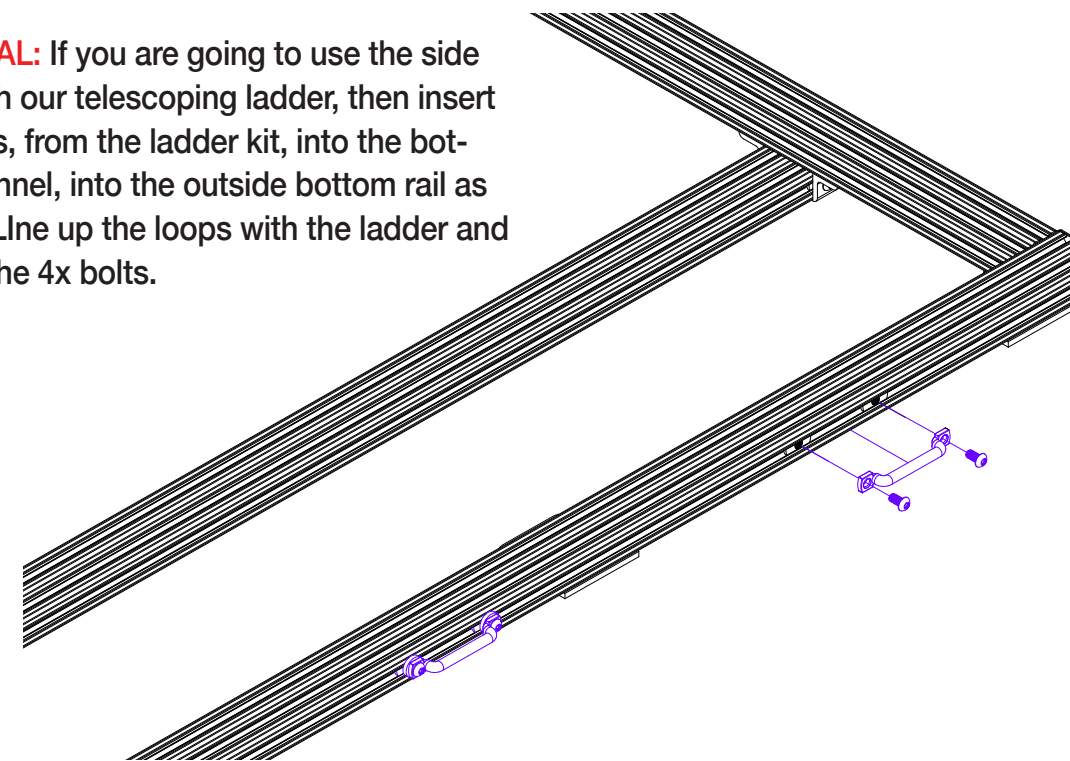


Page intentionally left blank.

30) Finally, tighten all 8 bolts from the Angle Brackets to the long floor support rails. **Double check that all hardware and brackets are tightened.** Congrats, your bottom frame is now complete!



OPTIONAL: If you are going to use the side door with our telescoping ladder, then insert 4x T-nuts, from the ladder kit, into the bottom channel, into the outside bottom rail as shown. Line up the loops with the ladder and tighten the 4x bolts.



TOP FRAME

3

SCAN FOR VIDEO



Side Rail

- 13x T-nuts outside channel
- 4x 1" Angles with T-nuts Inside channel
- 2x Top Corner Brackets

Tent Entry Side End Rail

- 7x T-nuts outside channel

2x Center Support Rails

- 4x Pre-assembled accessory hooks w/ T-nuts bottom channel

Side Rail

- 13x T-nuts outside channel
- 4x 1" Angles with T-nuts inside channel
- 2x Top Corner Brackets

Hinge Side End Rail

- 3x T-nuts outside channel

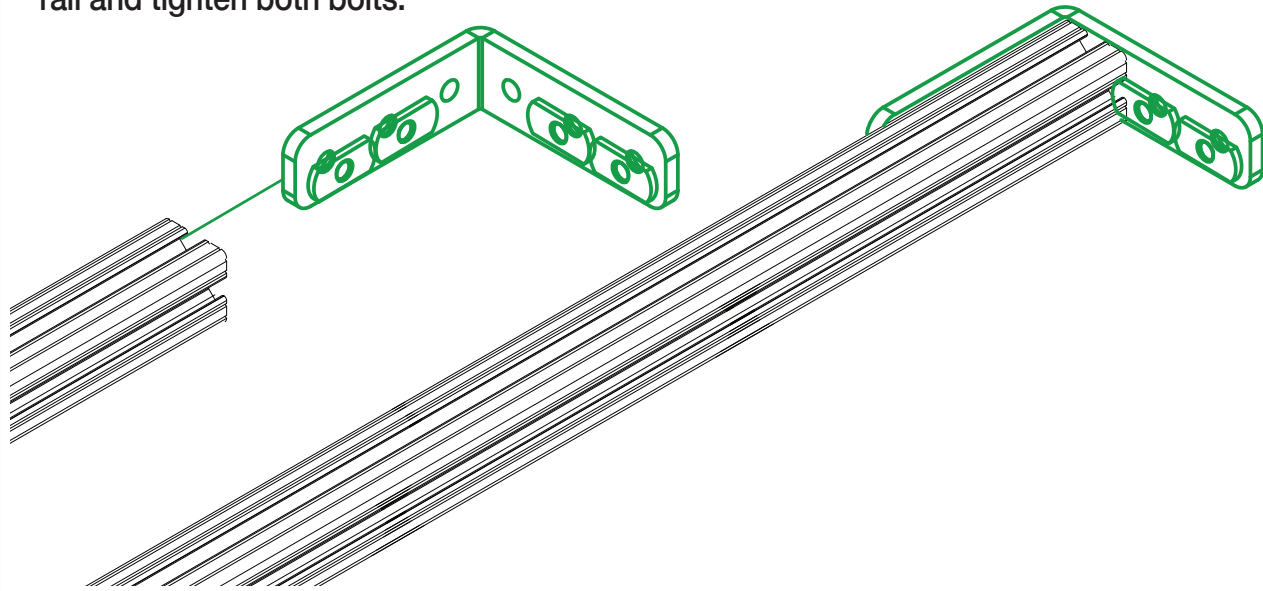


NOTE:

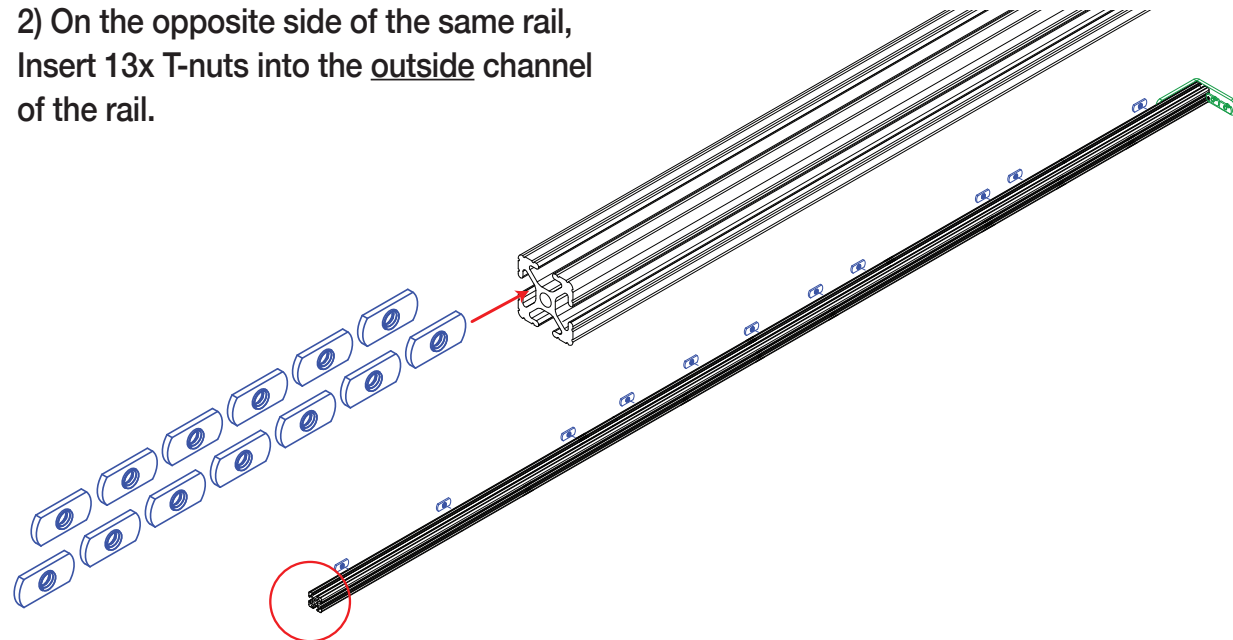
The exploded view here shows all of the assembly items used in the build assembly for the top frame. It is extremely important to double check the counts of all items before you assemble to avoid disassembly and reassembly to add missing pieces.

PACKOUT.

1) Slide pre-assembled Top Corner Bracket into the outside channel of the left side long rail and tighten both bolts.

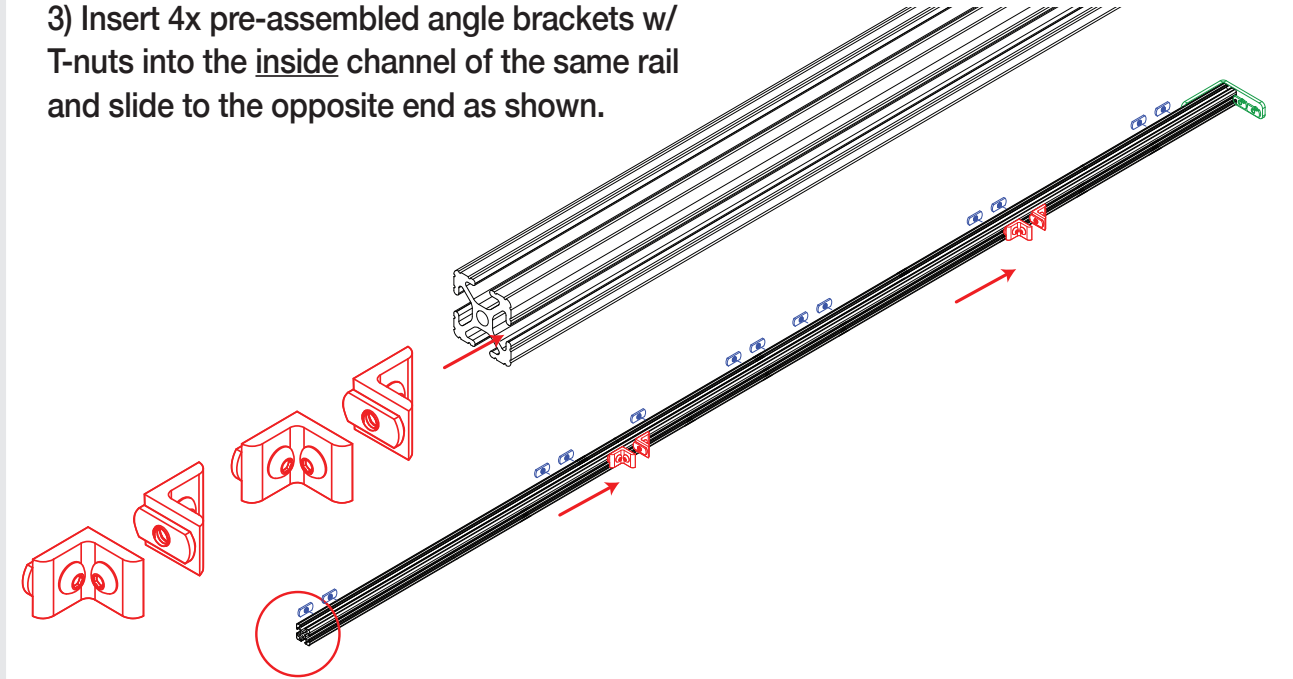


2) On the opposite side of the same rail, Insert 13x T-nuts into the outside channel of the rail.

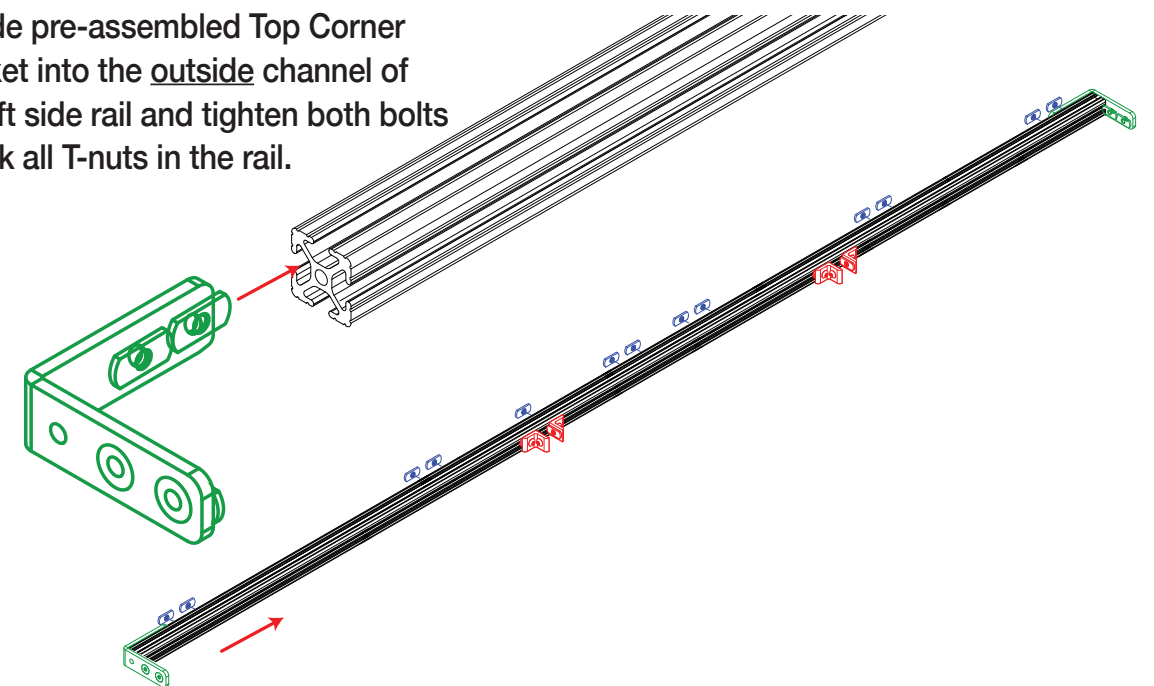


PACKOUT.

3) Insert 4x pre-assembled angle brackets w/ T-nuts into the inside channel of the same rail and slide to the opposite end as shown.

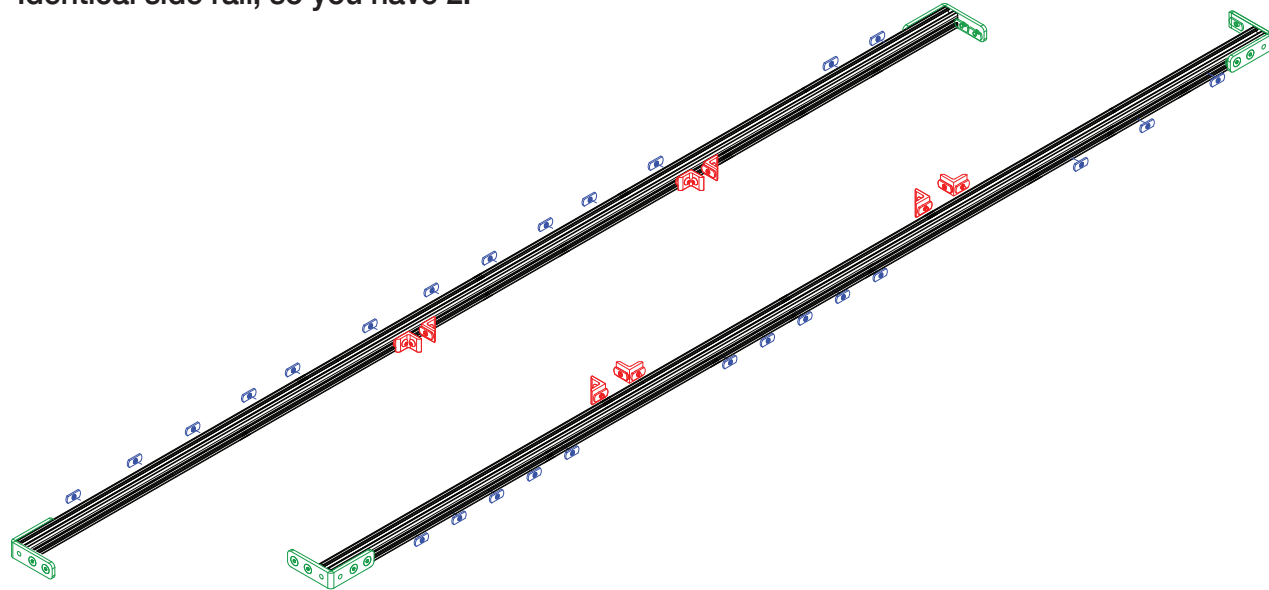


4) Slide pre-assembled Top Corner Bracket into the outside channel of the left side rail and tighten both bolts to lock all T-nuts in the rail.

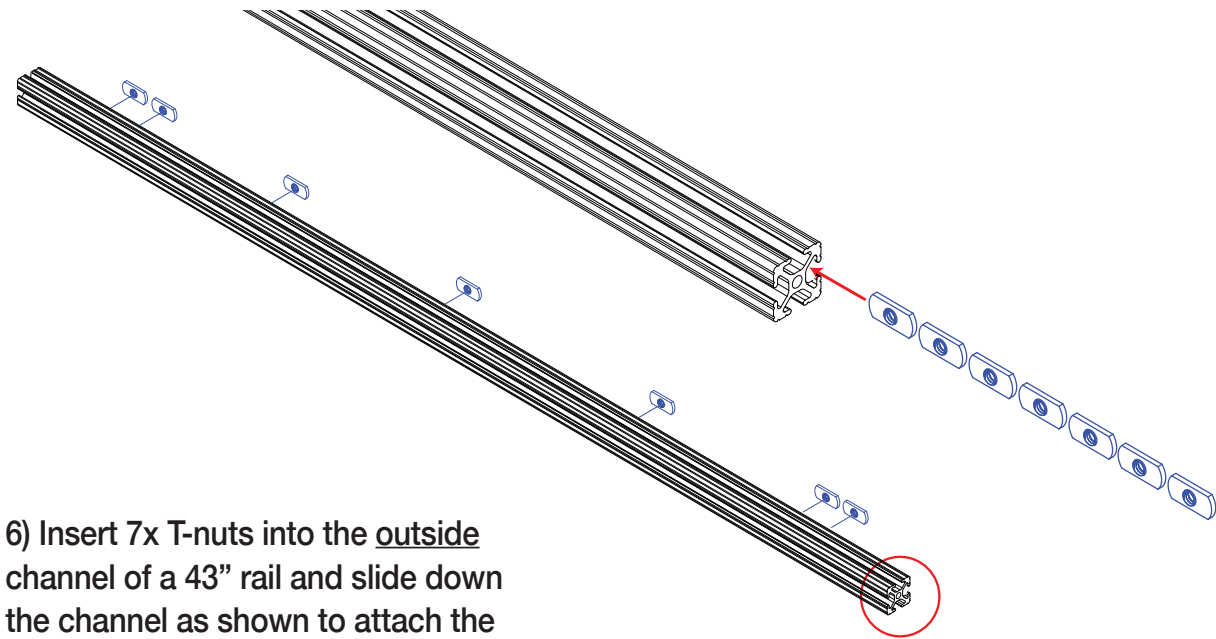


PACKOUT.

5) Repeats steps 1-4 and create a second identical side rail, so you have 2.

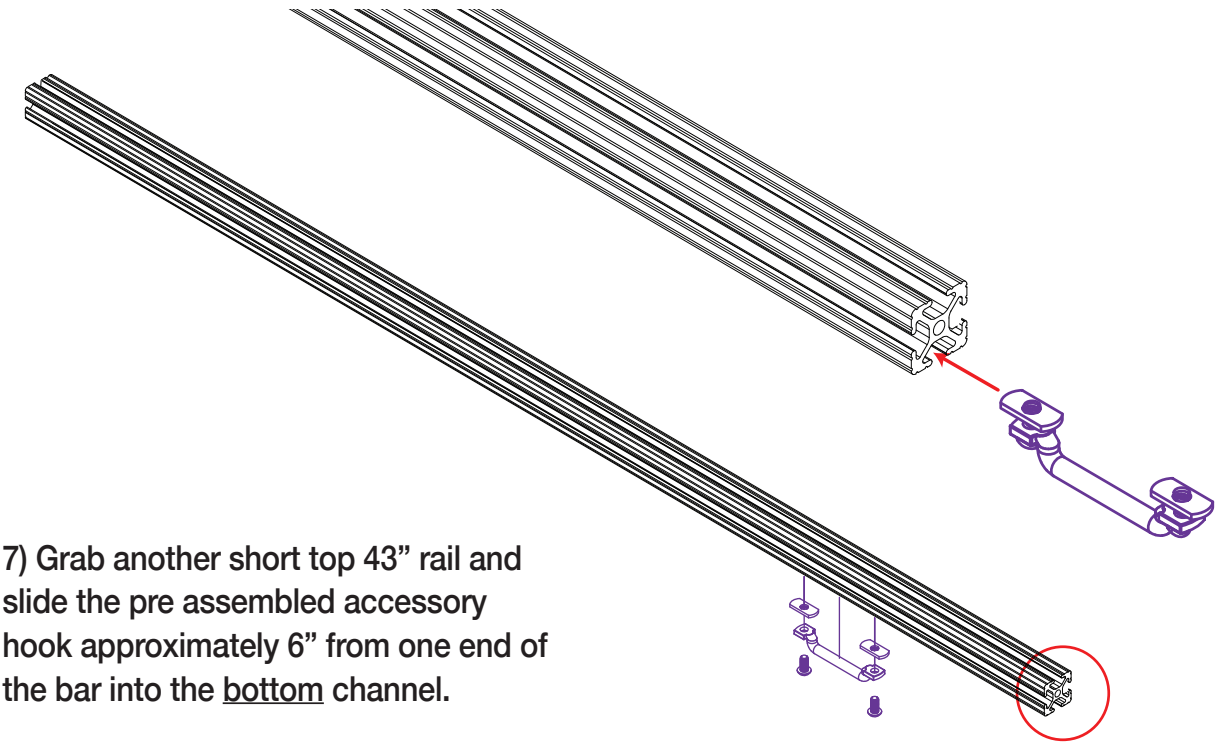


6) Insert 7x T-nuts into the outside channel of a 43" rail and slide down the channel as shown to attach the roof top later.

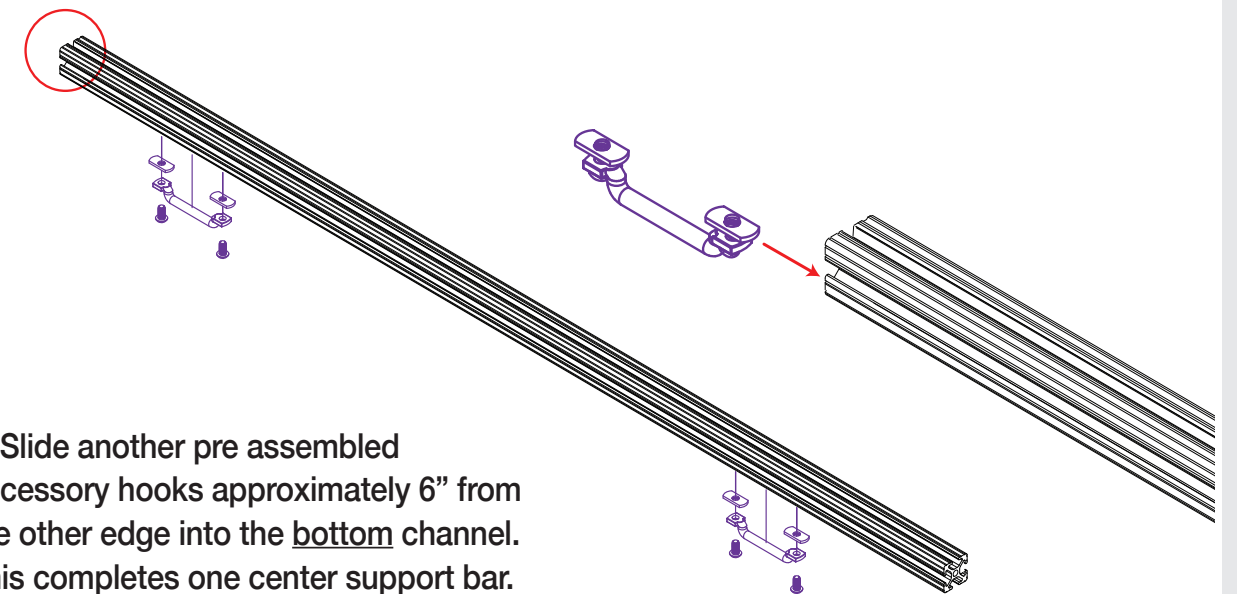


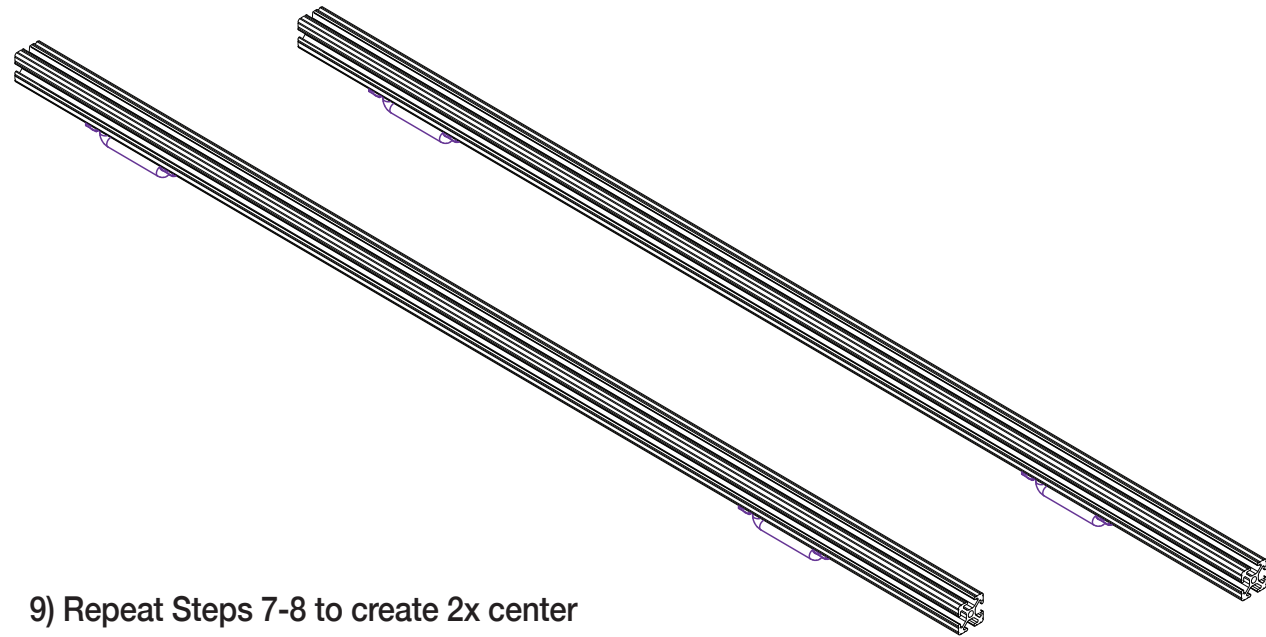
PACKOUT.

7) Grab another short top 43" rail and slide the pre assembled accessory hook approximately 6" from one end of the bar into the bottom channel.



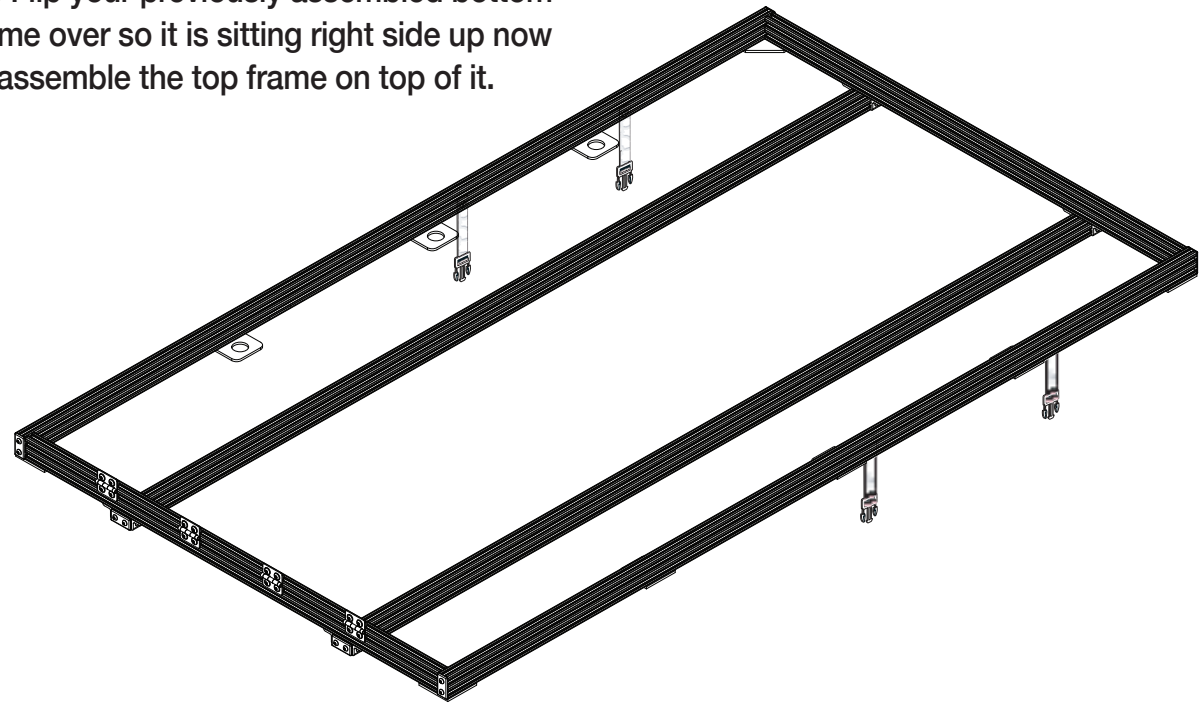
8) Slide another pre assembled accessory hooks approximately 6" from the other edge into the bottom channel. This completes one center support bar.



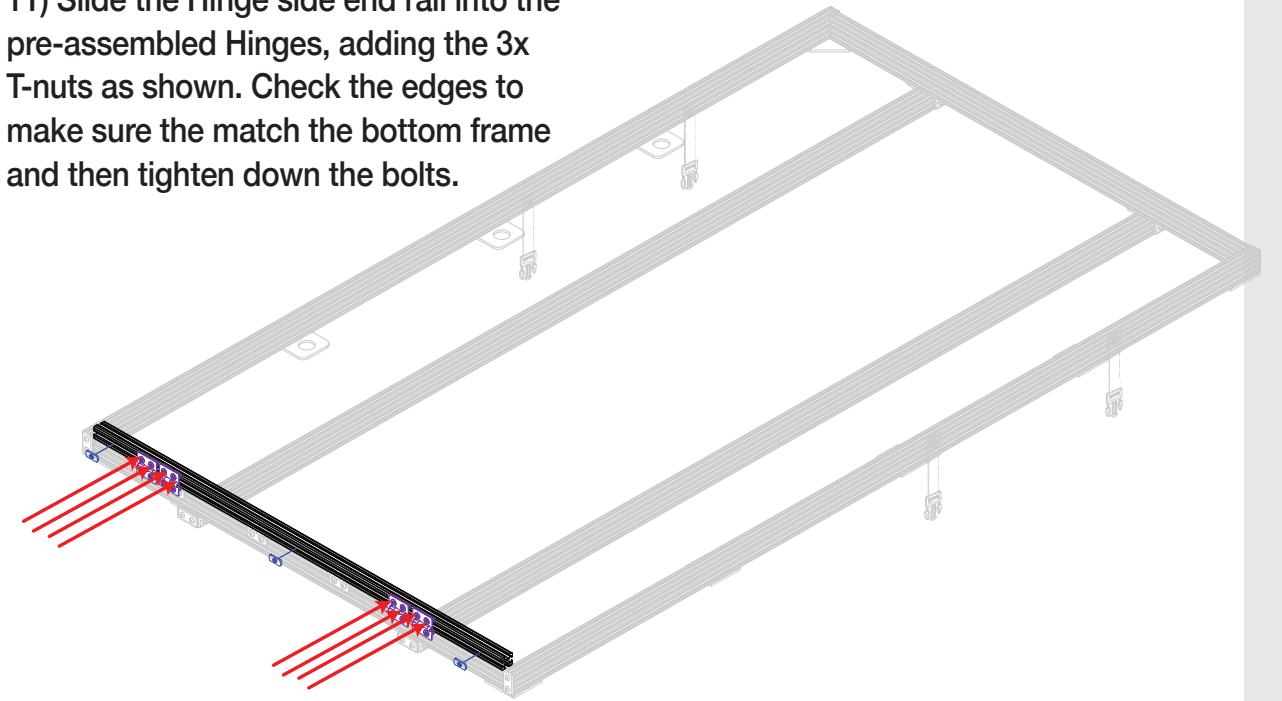


9) Repeat Steps 7-8 to create 2x center support Bars and set aside.

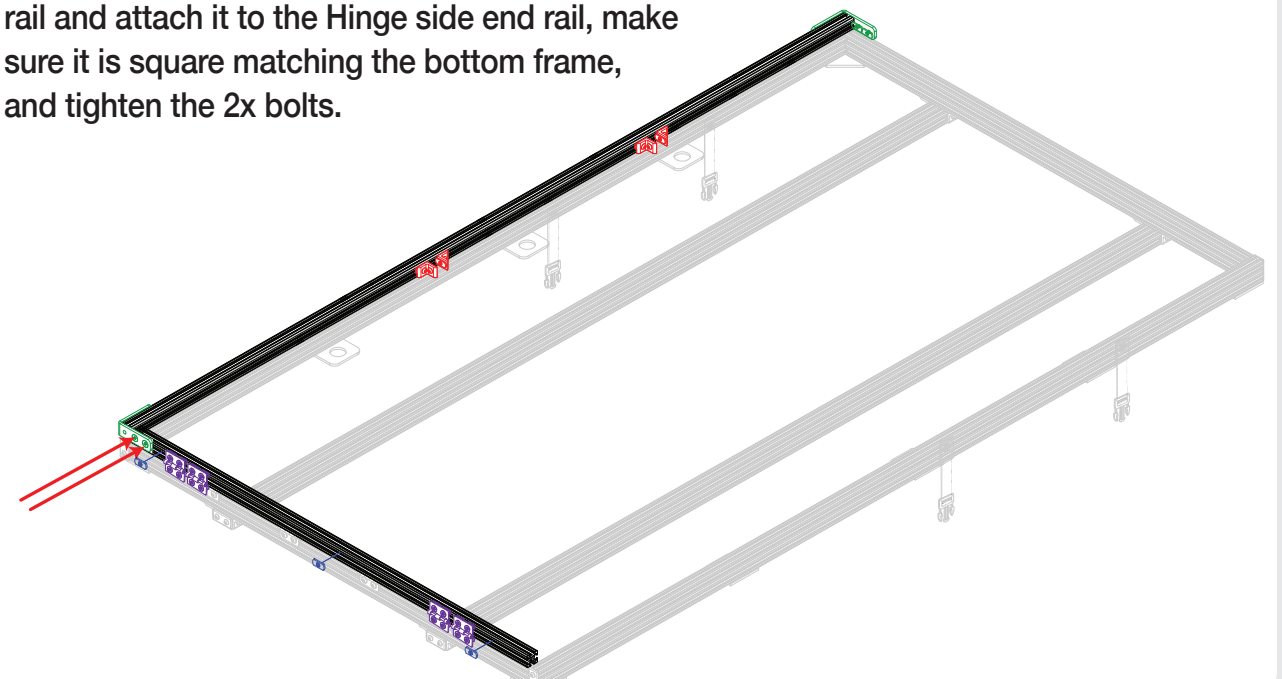
10) Flip your previously assembled bottom frame over so it is sitting right side up now to assemble the top frame on top of it.



11) Slide the Hinge side end rail into the pre-assembled Hinges, adding the 3x T-nuts as shown. Check the edges to make sure they match the bottom frame and then tighten down the bolts.

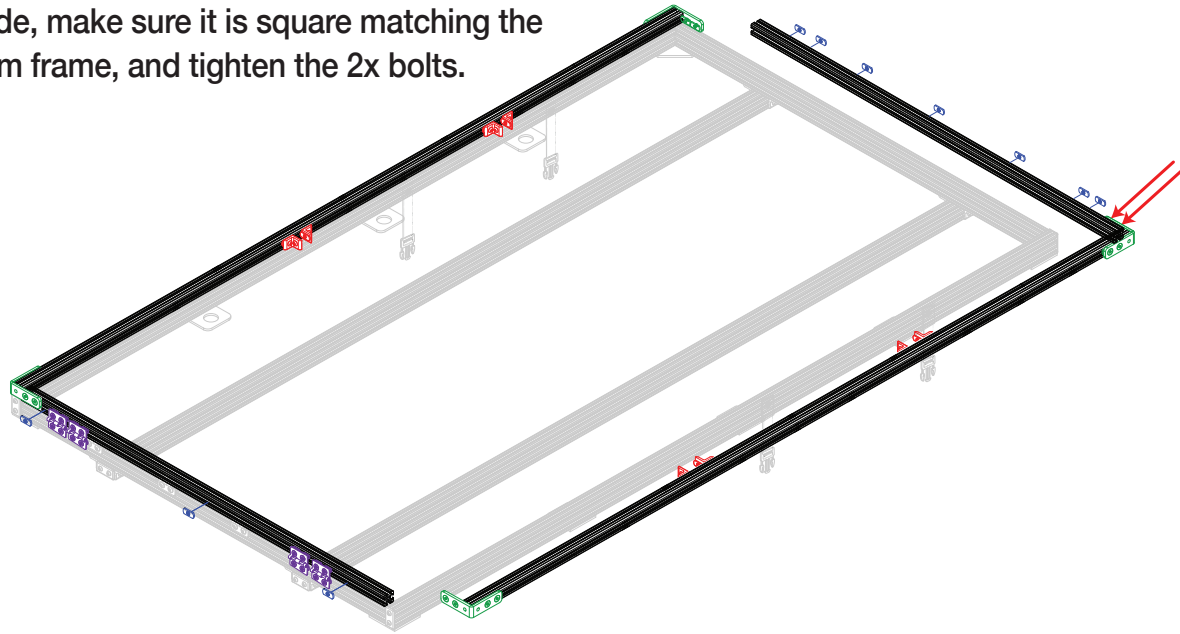


12) Grab one previously assembled long side rail and attach it to the Hinge side end rail, make sure it is square matching the bottom frame, and tighten the 2x bolts.

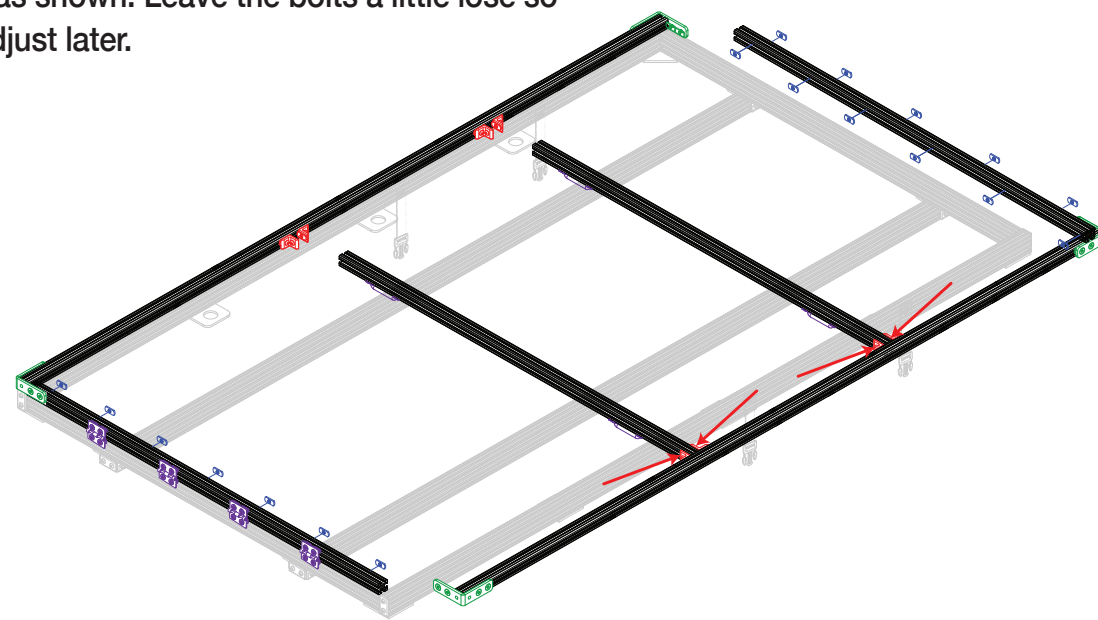


PACKOUT.

13) Grab the second previously assembled long side rail and attach it to the tent entry side end rail side, make sure it is square matching the bottom frame, and tighten the 2x bolts.

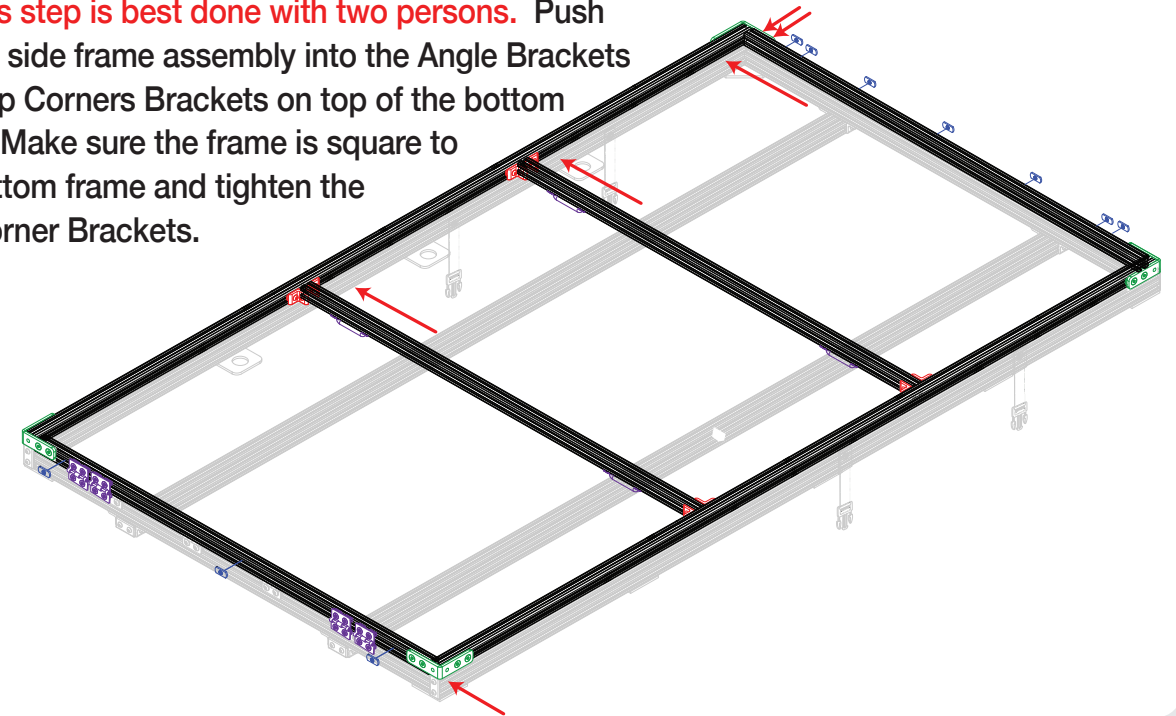


14) Grab two of the center support bars previously assembled and insert them into the left side frame assembly as shown. Leave the bolts a little loose so you can adjust later.

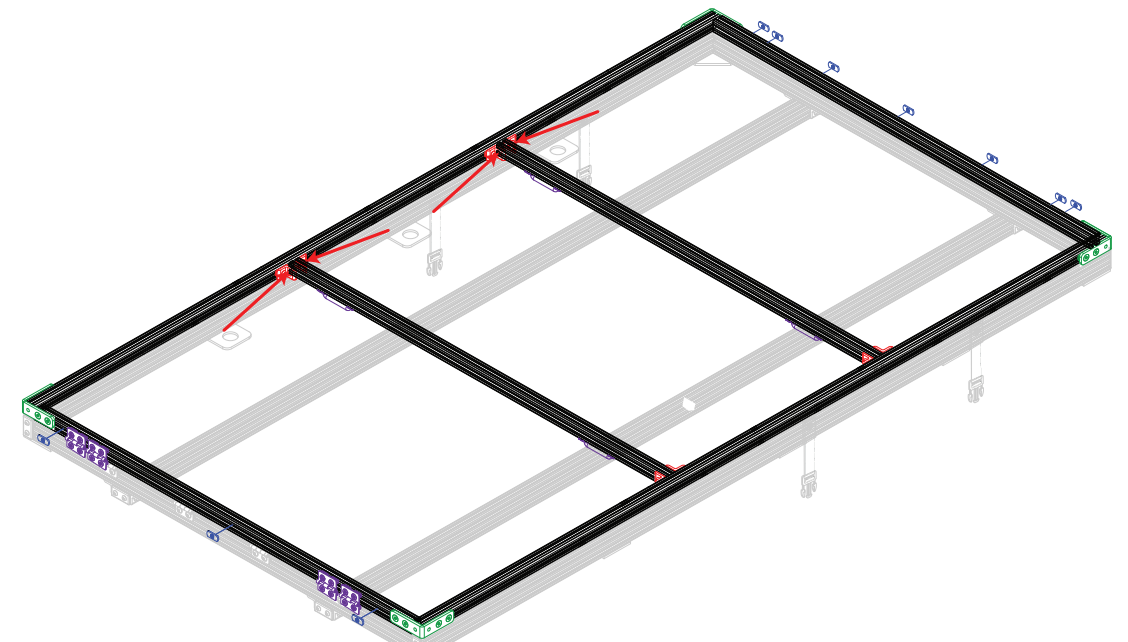


PACKOUT.

15) **This step is best done with two persons.** Push the left side frame assembly into the Angle Brackets and Top Corners Brackets on top of the bottom frame. Make sure the frame is square to the bottom frame and tighten the Top Corner Brackets.

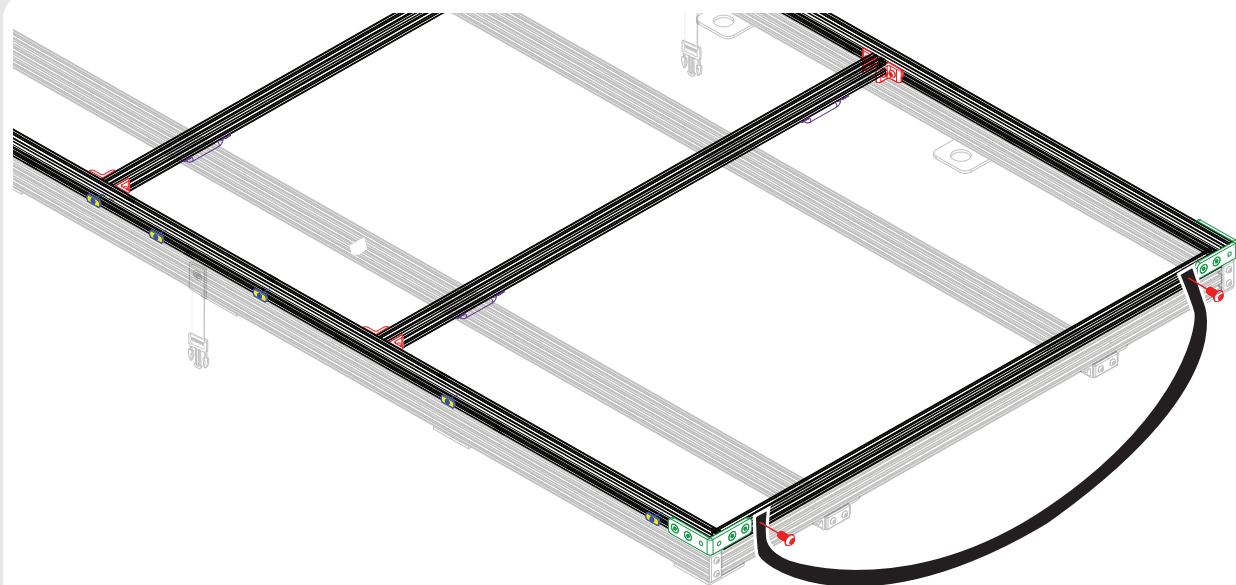
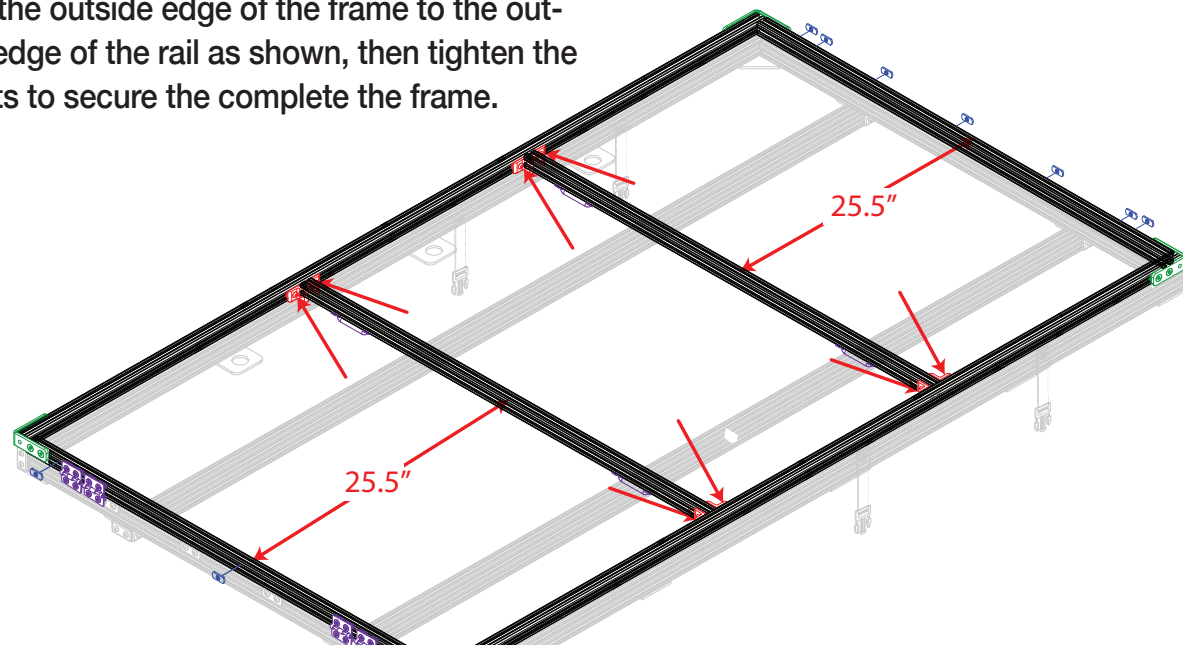


16) Tighten the bolts to the Angle Brackets as shown.



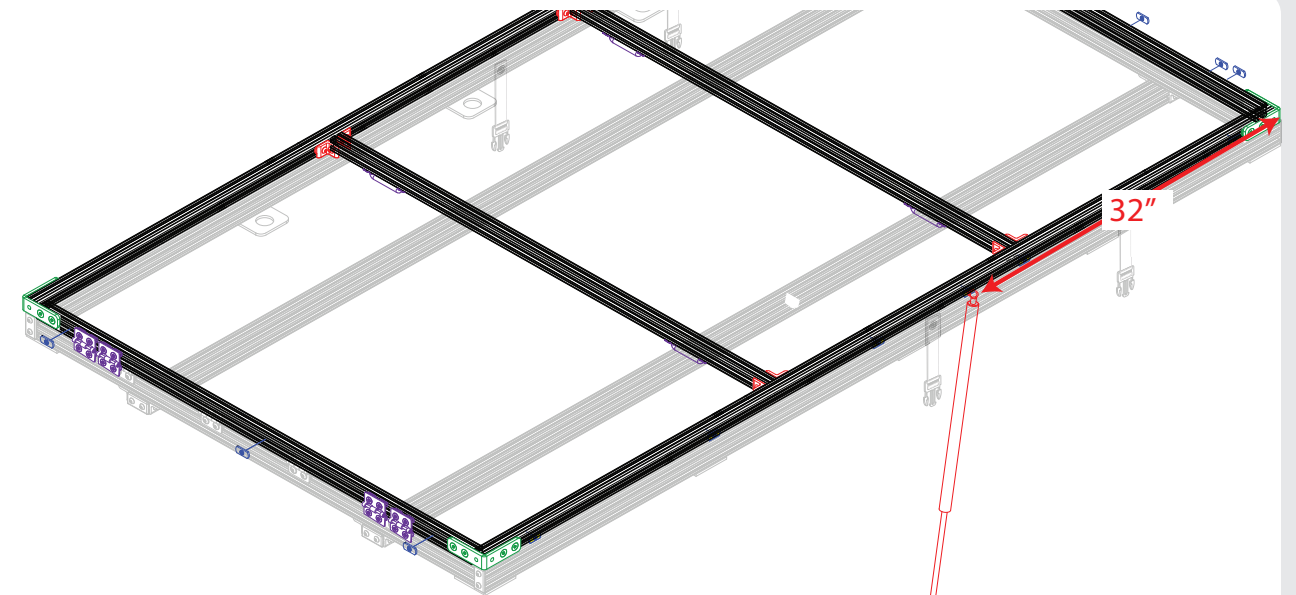
PACKOUT.

17) Position the two center support bars 25.5" from the outside edge of the frame to the outside edge of the rail as shown, then tighten the 8 bolts to secure the complete the frame.

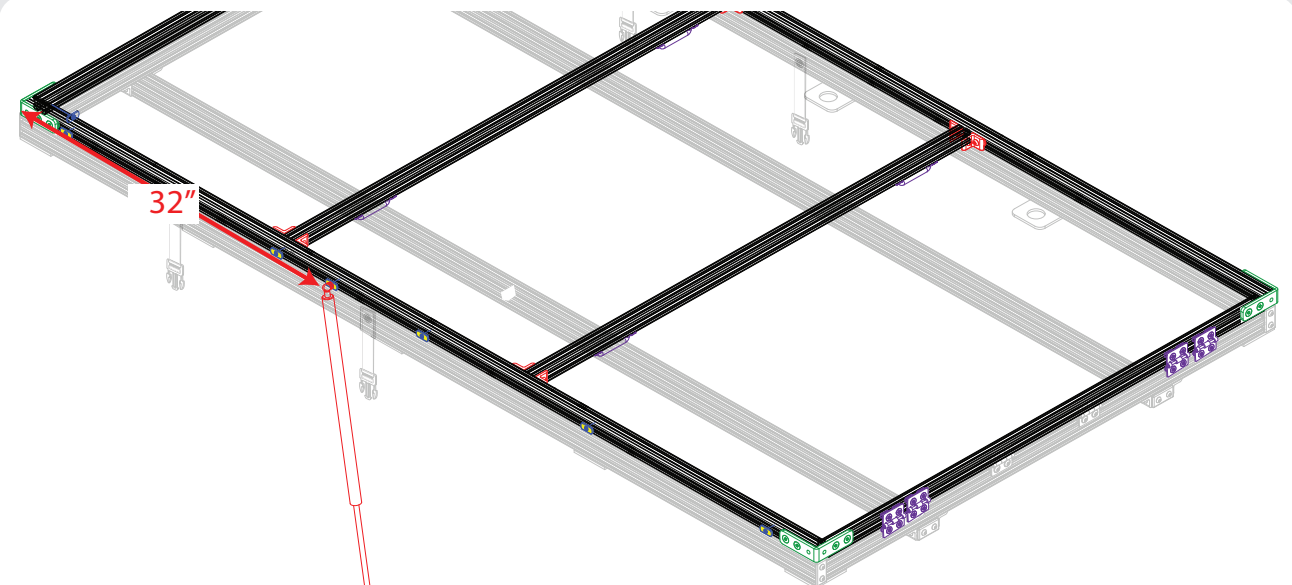


18) Attach the pull down strap (not shown to scale) to the tent opening side, top frame rail, using the outside T-nuts and push against the Top Corner Brackets and tighten as shown.

PACKOUT.

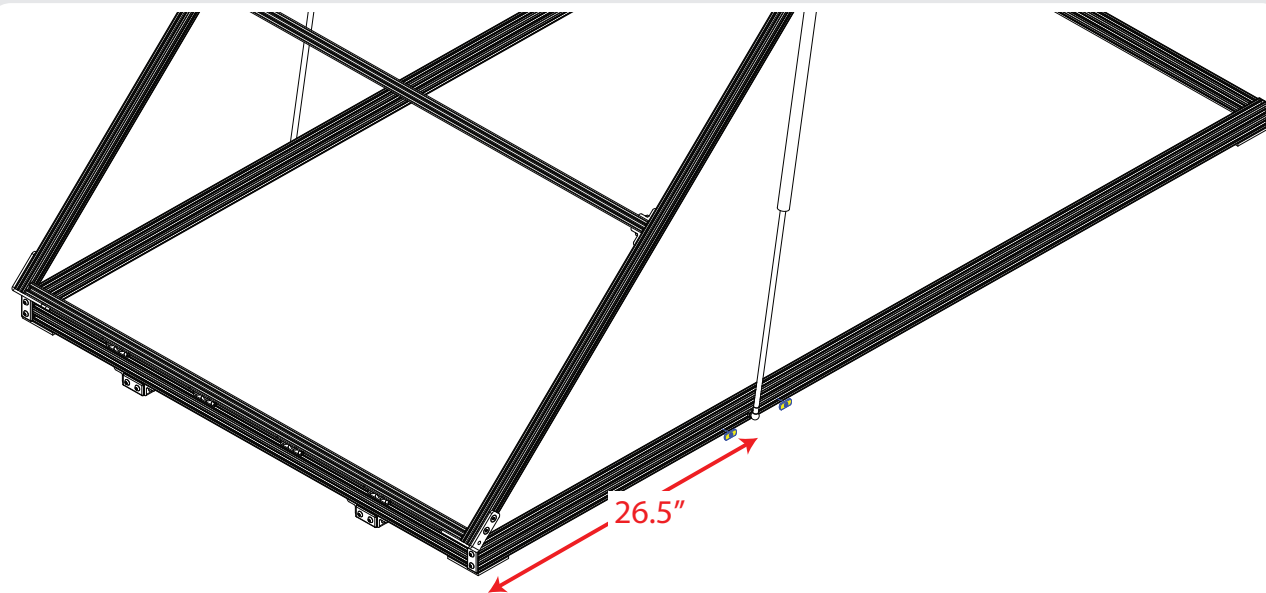


19) Attach the left side strut to the top rail using the 6th T-nut from the outside edge at 32" from the outside edge of the frame rail to center of T-nut using a flat washer spacer.

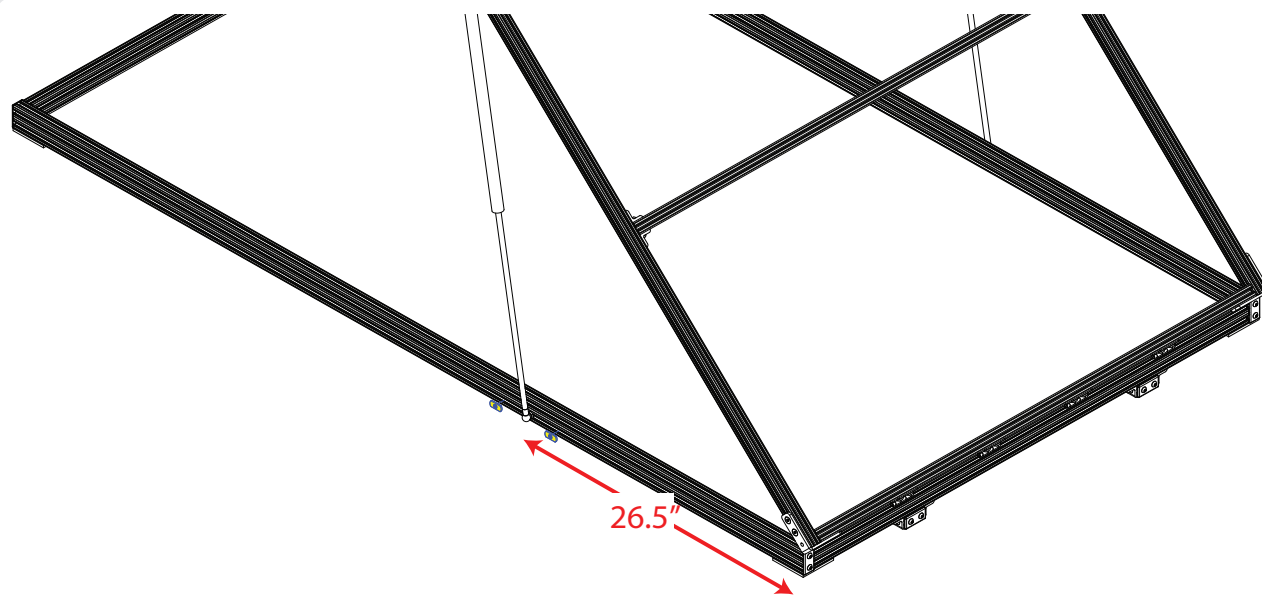


20) Attach the right side strut to the top rail using the 6th T-nut from the outside edge at 32" from the outside edge of the frame rail to center of T-nut using a flat washer spacer.

PACKOUT.



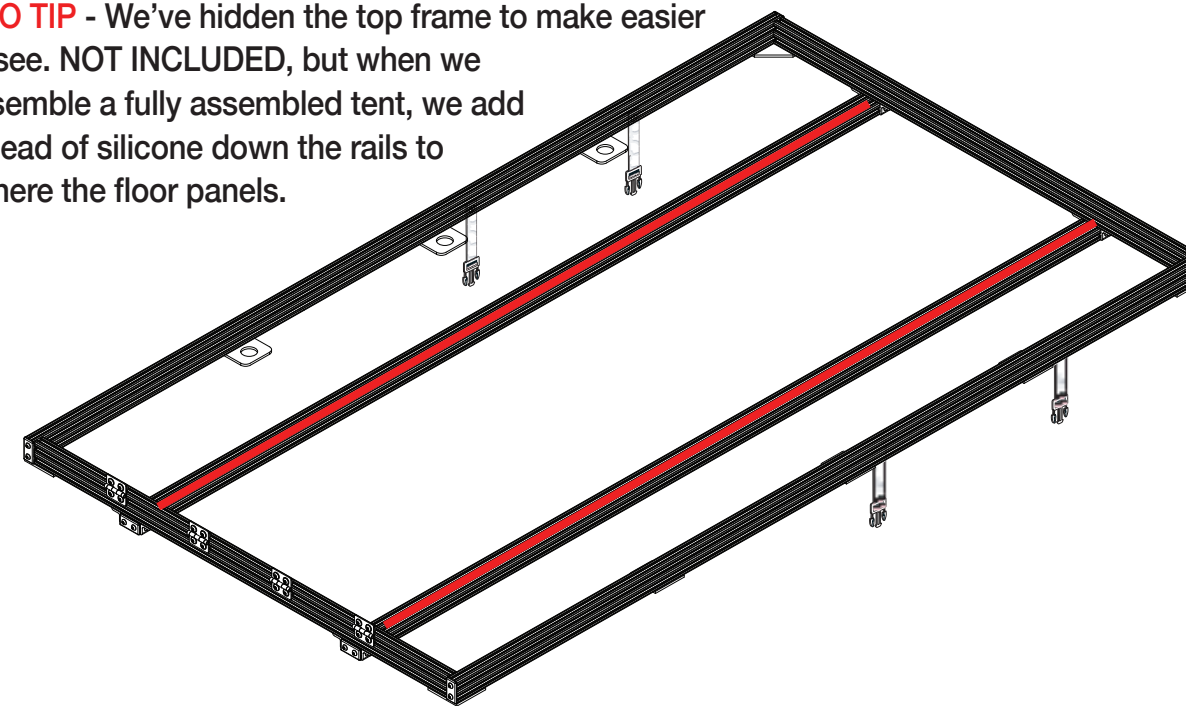
21) Best way to do this step is have your friend push up and hold the top frame so you can easily attach the bottom of the strut to the center T-nut 26.5" from the edge of the frame rail as shown using a flat washer spacer.



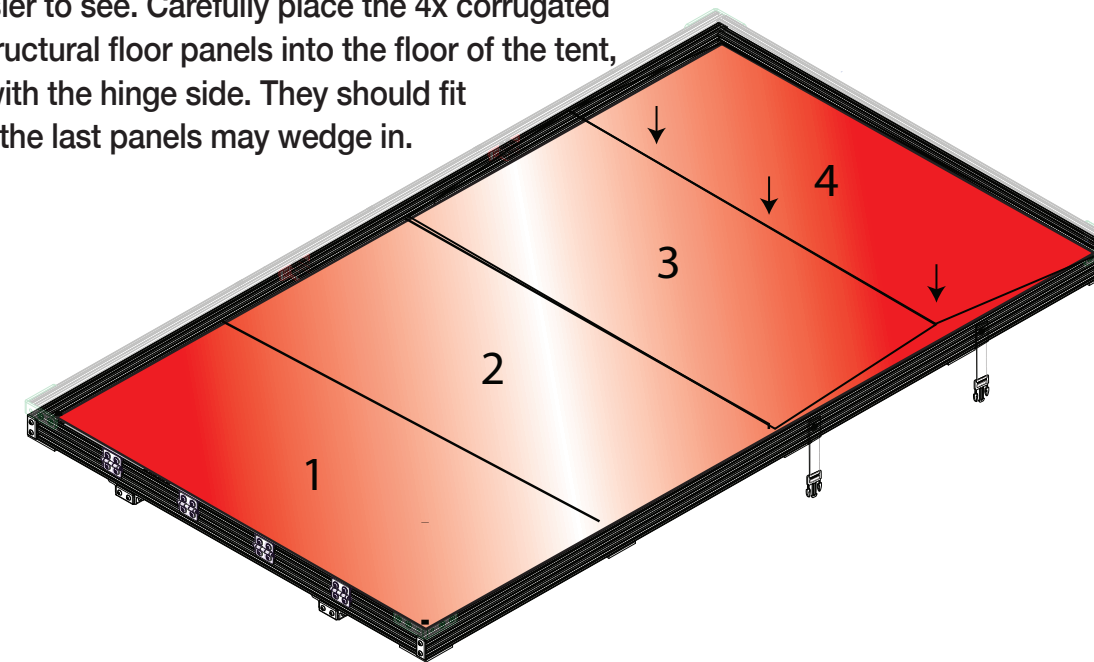
22) Repeat step 21 on the right side strut to the center T-nut 26.5" from the edge of the frame rail as shown using a flat washer spacer. Congrats, you've completed the tent frame! **Double check all bolts are tight before continuing to hanging the tent.**

PACKOUT.

PRO TIP - We've hidden the top frame to make easier to see. **NOT INCLUDED**, but when we assemble a fully assembled tent, we add a bead of silicone down the rails to adhere the floor panels.

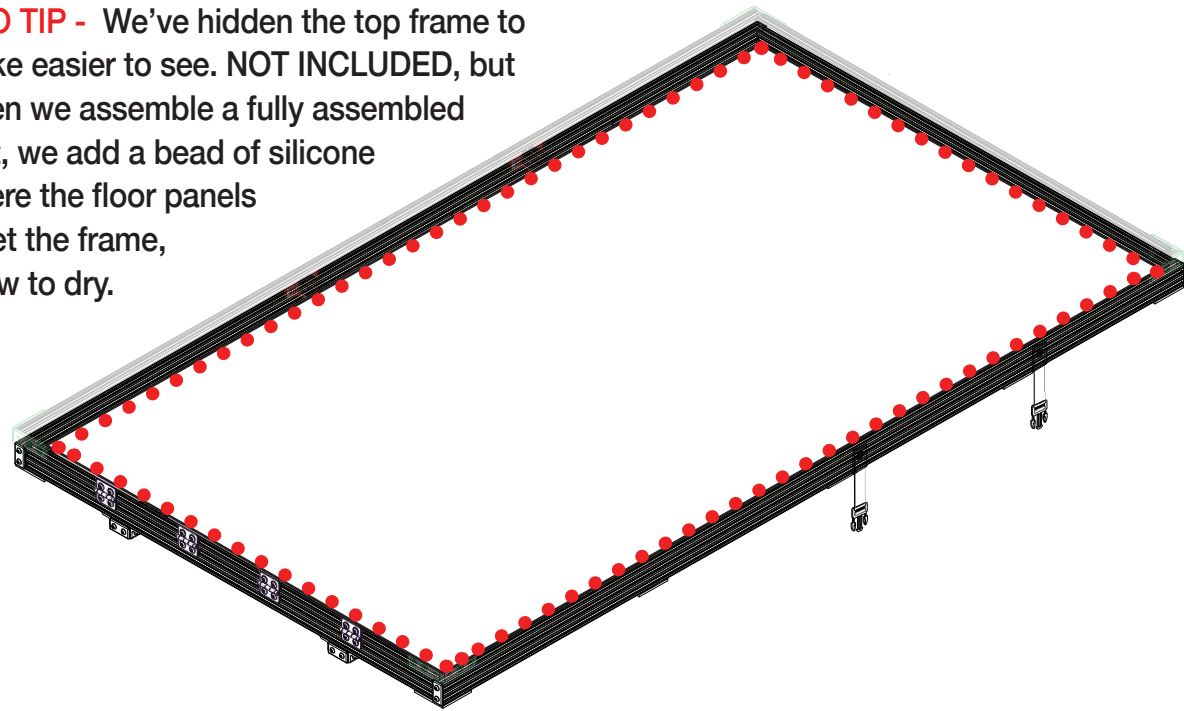


23) Note - We've hidden the tent and top frame to make easier to see. Carefully place the 4x corrugated plastic structural floor panels into the floor of the tent, starting with the hinge side. They should fit tight and the last panels may wedge in.

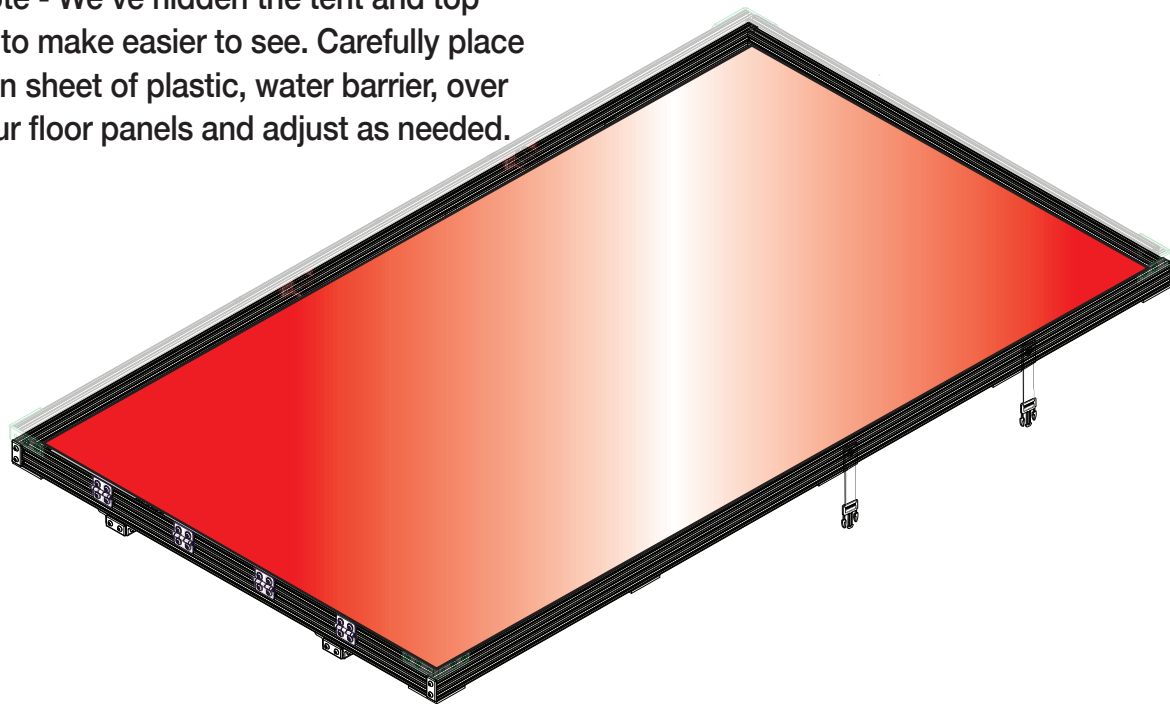


PACKOUT.

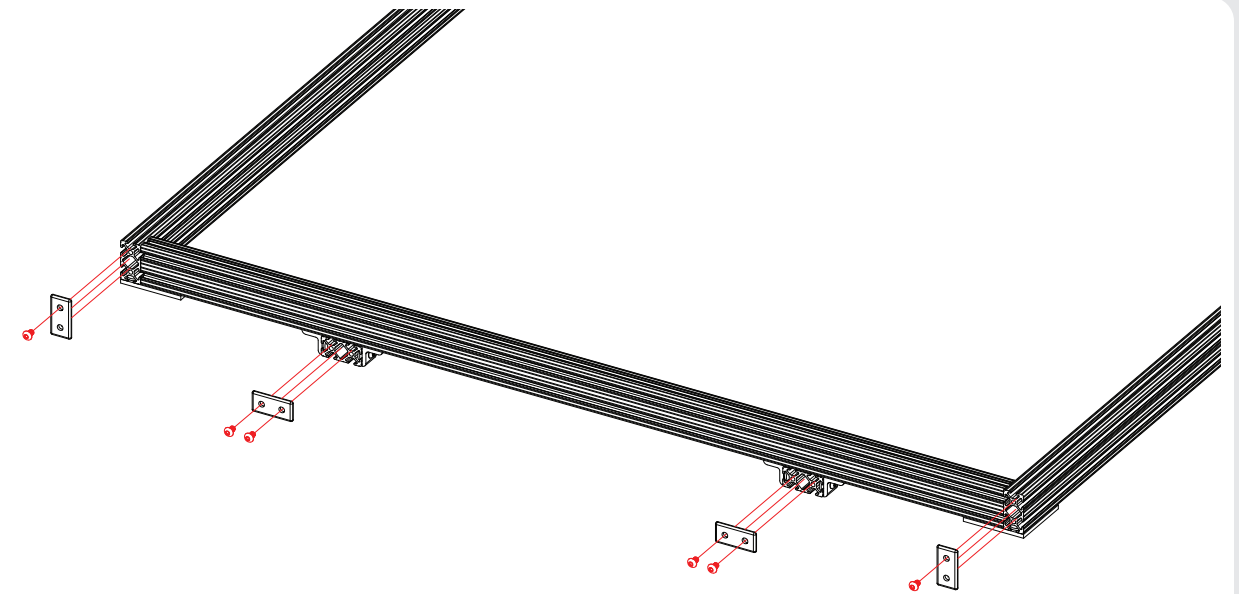
PRO TIP - We've hidden the top frame to make easier to see. NOT INCLUDED, but when we assemble a fully assembled tent, we add a bead of silicone where the floor panels meet the frame, allow to dry.



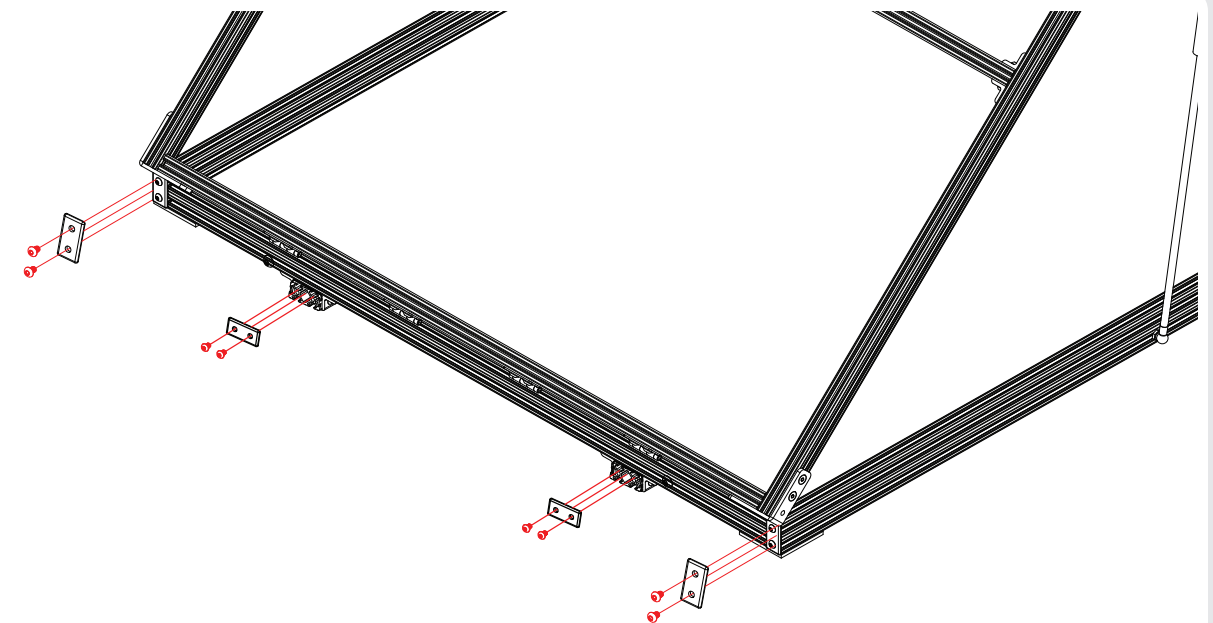
24) Note - We've hidden the tent and top frame to make easier to see. Carefully place the thin sheet of plastic, water barrier, over the four floor panels and adjust as needed.



PACKOUT.



25) On the bottom long rails, add the end caps with the 3/4" Self drilling screws.



25) On the two bottom long rails, hinge side, add the end caps with the 3/4" Self drilling screws.

HANG TENT

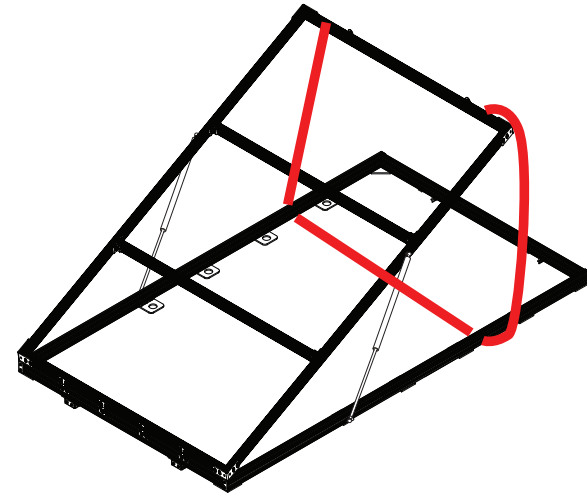
4

SCAN FOR VIDEO



PRO TIP:

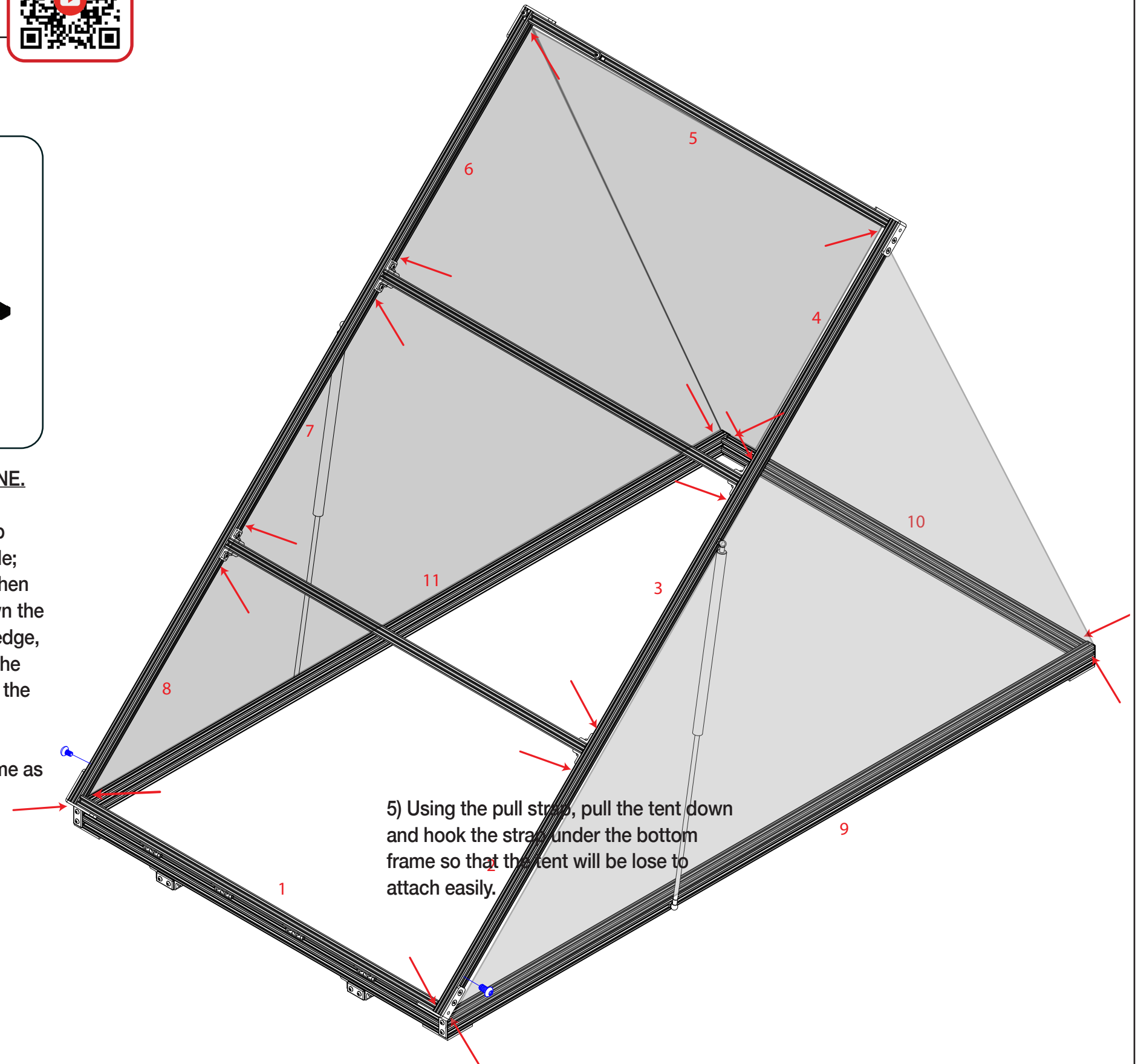
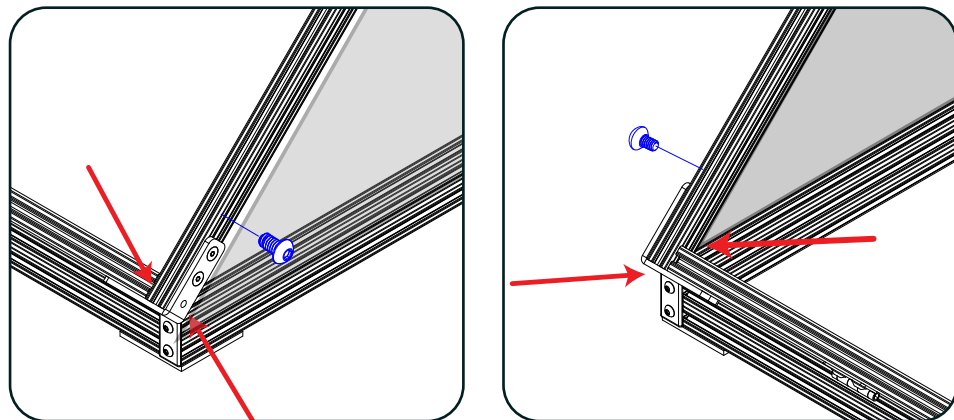
Use the pull down strap, as shown, to pull the tent frame half way down and allow the tent to be easily manipulated into the frame.



ONLY PUSH THE RUBBER INTO THE CORNERS UNTIL ALL CORNERS ARE DONE.

This process can take up to 1hr so be patient. Not shown, but leave the pull strap holding the tent frame partially closed from the last step. Starting at the hinge side; Attach the bottom of the tent to the bottom frame inside edge, top and bottom, then work your way up the right side frame. Complete the top and work your way down the left side. Then back to the right side, push in the corners on the bottom outside edge, around the opening side and finally the left side bottom. Finally, adjust evenly in the frame as needed so that all corners are tight, then push in the middle sections of the tent to complete.

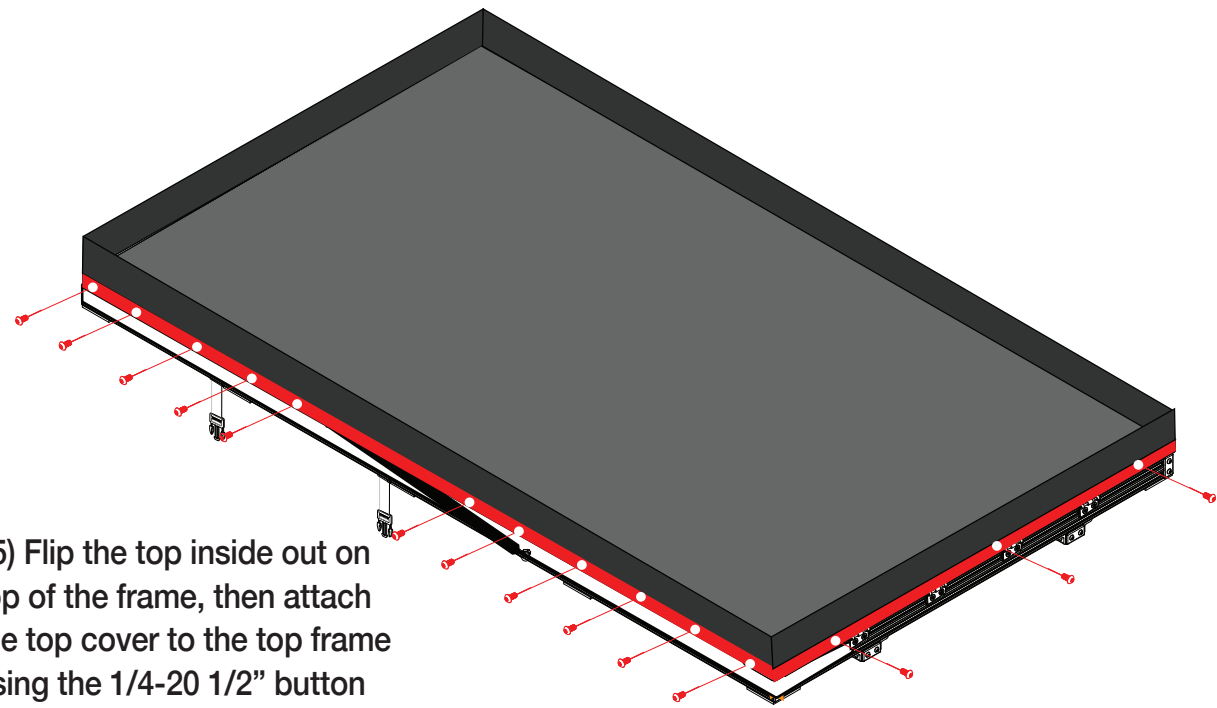
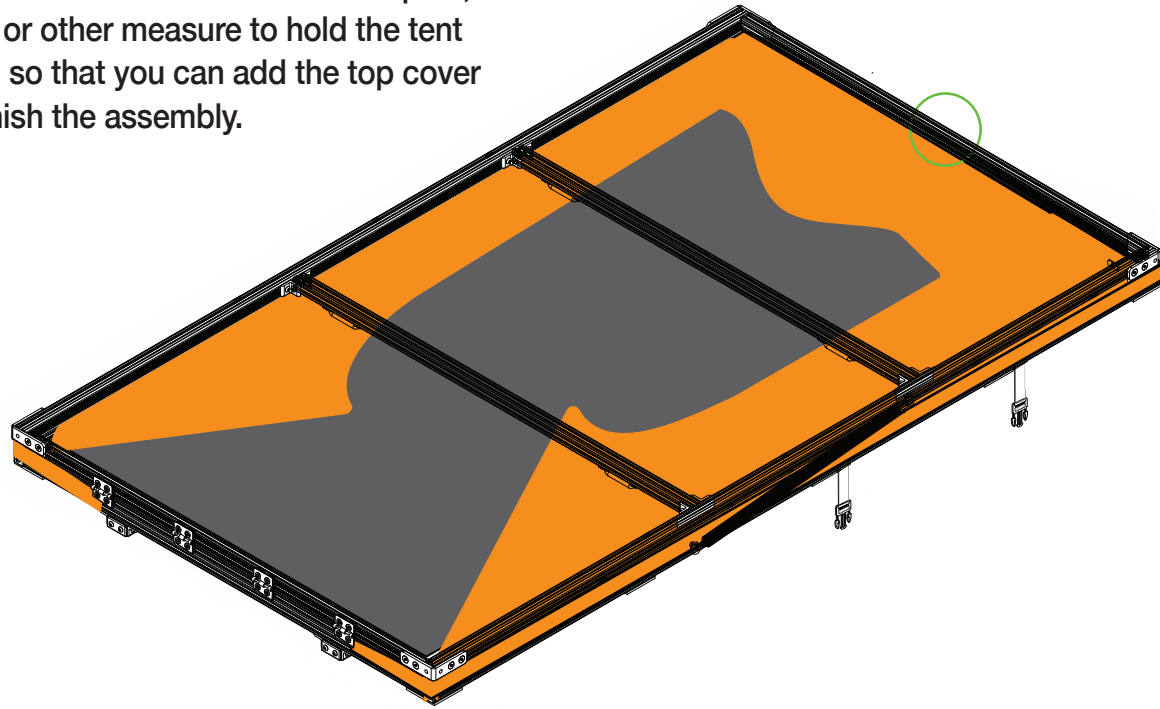
13) Tread in a 1/4-20 1/2" bolt into the bottom t-nuts on both sides of the top frame as shown. Attach the bungle closure cord as to these bolts.



5) Using the pull strap, pull the tent down and hook the strap under the bottom frame so that the tent will be loose to attach easily.

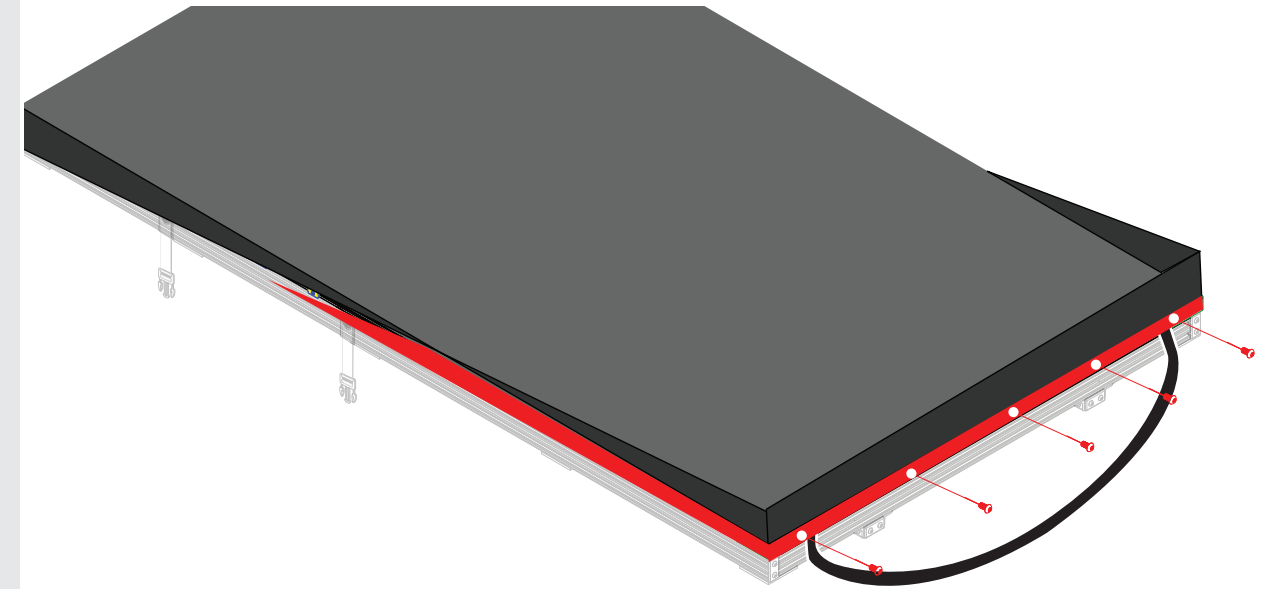
PACKOUT.

14) Pull the tent closed and use a zip tie, string, or other measure to hold the tent closed so that you can add the top cover and finish the assembly.



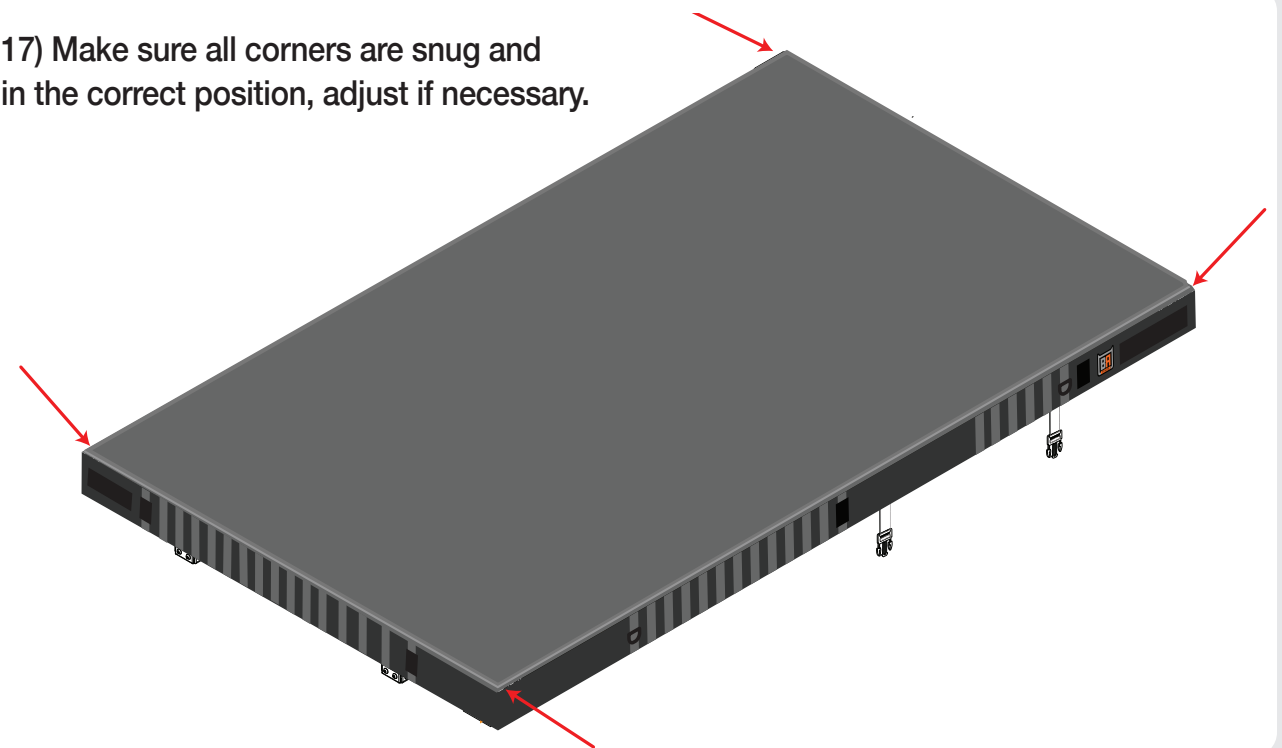
15) Flip the top inside out on top of the frame, then attach the top cover to the top frame using the 1/4-20 1/2" button head bolts.

PACKOUT.



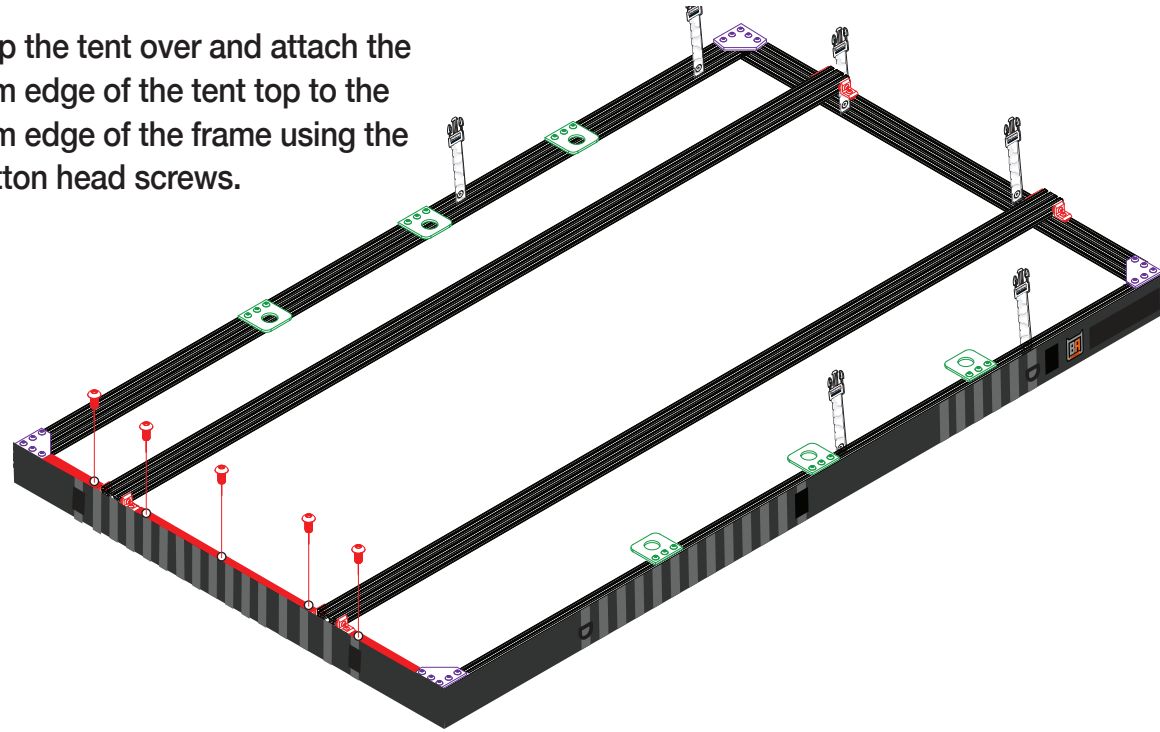
16) After you have all the bolts tightened flip the cover back over the frame into it's final position.

17) Make sure all corners are snug and in the correct position, adjust if necessary.

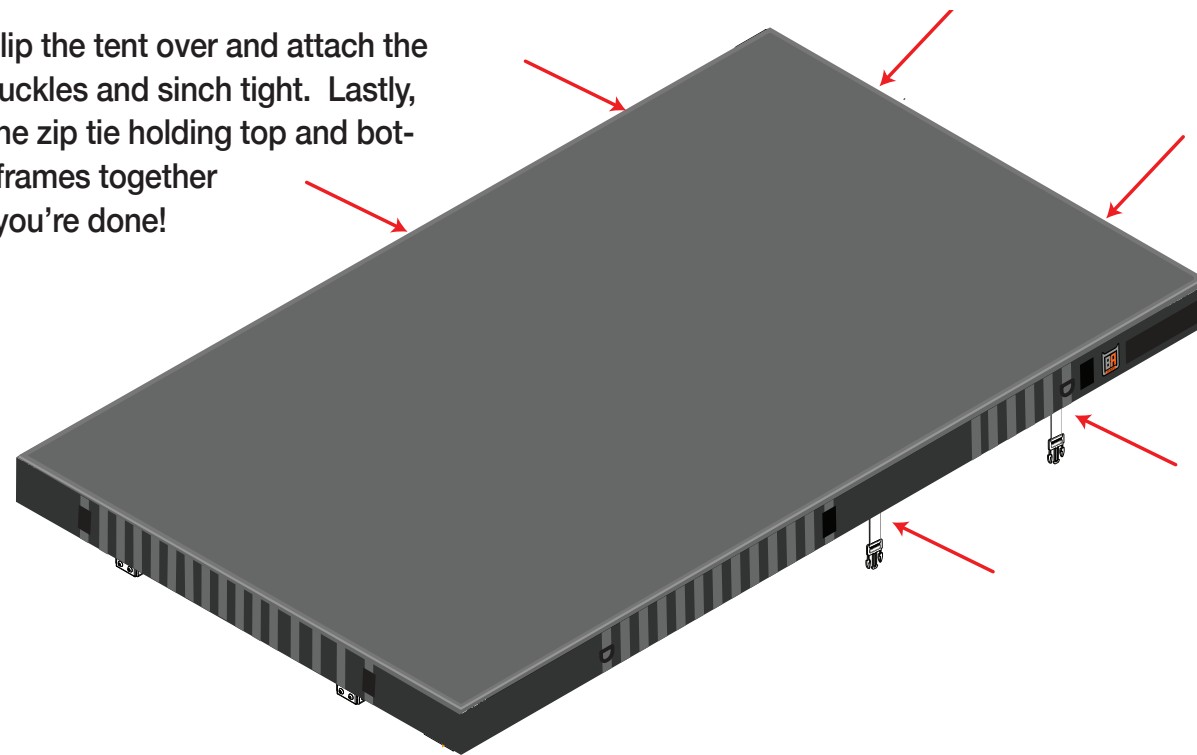


PACKOUT.

21) Flip the tent over and attach the bottom edge of the tent top to the bottom edge of the frame using the 5x button head screws.

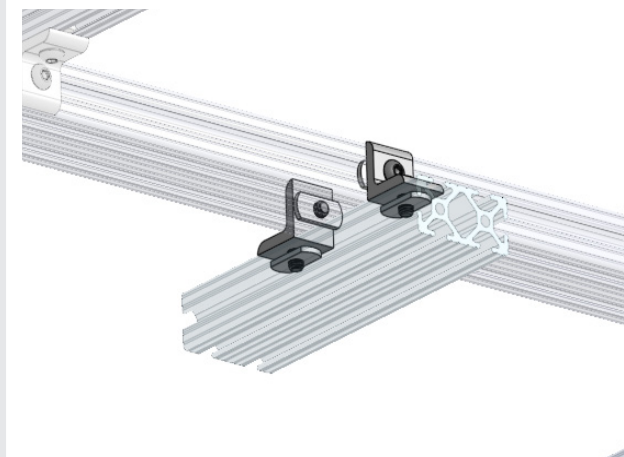


22) Flip the tent over and attach the six buckles and sinch tight. Lastly, cut the zip tie holding top and bottom frames together and you're done!

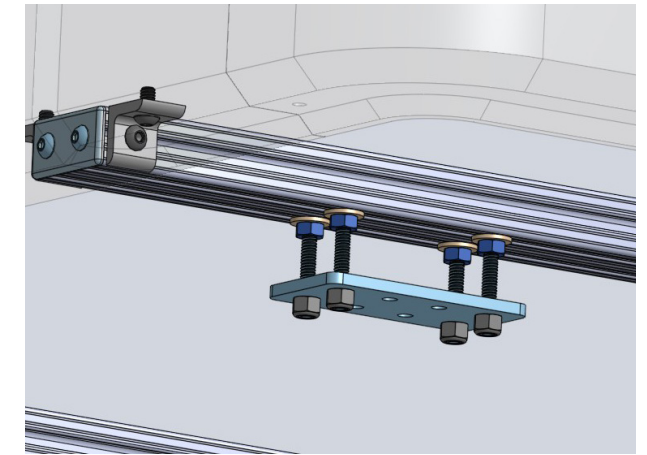


PACKOUT.

There are many ways to mount the tent to your vehicle, below are two options we offer on our website at www.badasstents.com/accessories



PN#9900-0006 includes 8x Angle Brackets and hardware to mount the lower beams to an extrusion style roof rack.



PN#9900-0005 includes 4x flat bracket plates and hardware to clamp the lower beams to a crossbar.

P.M.T.



BADASS
TENTS