

4

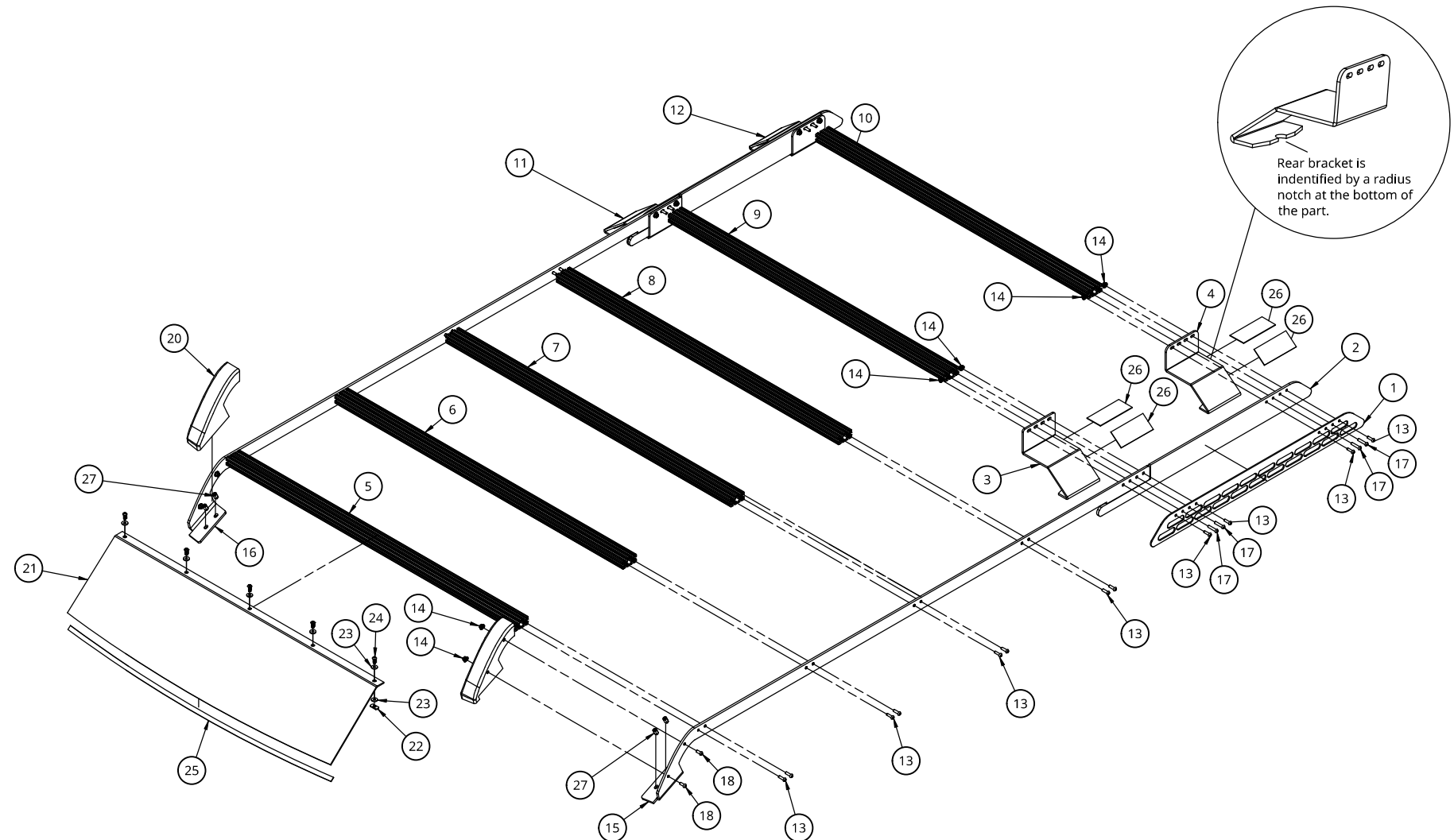
3


2

1

Item	Quantity	Name	Part number	Description
1	2	Accessory panel	1401-0401.3	
2	2	1401.0401.4a Support	1401-0401.4	
3	1	1401-0401.2 Center bracket		
4	1	Rear bracket	1401-0401.1	Rear mounting bracket
5	1	Cross Bar 1		Aluminum extrusion 1x2 42.75"
6	1	Cross Bar 2		Aluminum extrusion 1x2 42.625"
7	1	Cross Bar 3		Aluminum extrusion 1x2 42.188"
8	1	Cross Bar 4		Aluminum extrusion 1x2 41.75"
9	1	Cross Bar 5		Aluminum extrusion 1x2 41.00"
10	1	Cross Bar 6		Aluminum extrusion 1x2 40.375"
11	1	1401-0401.2 Center bracket		
12	1	1401-0401.1 Rear bracket	1401-0401.1	Rear Bracket
13	24	Socket button head screw M6x1 x 20	ABABA-.6C20 KBCS	Socket button head screw M6x1 x 20 Stainless Steel
14	12	Serrated Flange Locknut	ABABA-.6CN WFS	Metric 18-8 Stainless Steel Serrated Flange Locknuts
15	1	1401-0401.7a inside driver rail		
16	1	1401-0401.8a inside passenger rail		
17	8	Socket button head screw M6x1 x 30	ABABA-.6C30 KBCS	Socket button head screw M6x1 x 30 Stainless Steel
18	4	Socket button head screw M6x1 x 16	ABABA-.6C16 KBCS	Socket button head screw M6x1 x 16 Stainless Steel
19	1	Front cover - driver		
20	1	Front cover - passenger		
21	1	Wind Jammer 2.1	1401.0400.b	0.118" Impact Modified Acrylic, transparent, dark smoke
22	5	T-Nut	3382-T-NUT	1/4-20 10 S ECONOMY T-SLOT NUT, END FEED SINGLE (BLK)
23	10	Rubber Sealing Washer	ABABA-25R62 WNO/3/32TH	Oil-Resistant Neoprene Rubber Sealing Washer for 1/4" Screw Size, 0.23" ID, 0.625" OD
24	5	Fastener	ABABA-25C62 KNCS	1/4-20 x 5/8 BTN SOC CAP SCRW S/S
25	1	3M double side		
26	8	Rubber - Bronco bracket		Rubber sheet 0.063 x 2.0 x 4.5 in.
27	4	Bronco Coupling Nut	90111A332-JN	Bronco Rack front nut (4x per rack) 316 Stainless Steel Coupling Nut-M6x1 Thread turned down 5mm x 7.5mm

Revised 05/2/2023



UNLESS OTHERWISE SPECIFIED, DIMENSIONS ARE IN INCHES .XX = ± 0- .XXX = ± 00- .XXXX = ± 000-		NAME	DATE	 Bronco Roof Rack 4 Door Assembly
ANGULAR = ± ° FRACTIONAL = ±	DRAWN	Justus Standley	01/04/2022	
SURFACE FINISH ✓	CHECKED			
DO NOT SCALE DRAWING BREAK ALL SHARP EDGES AND REMOVE BURRS	APPROVED			
THIRD ANGLE PROJECTION	MATERIAL	FINISH	SCALE	TITLE Bronco Roof Rack 4 Door Assembly SIZE B DWG NO. 1401-0401 REV. C SCALE 1:16 SHEET 7 of 7

4

3

2

1