

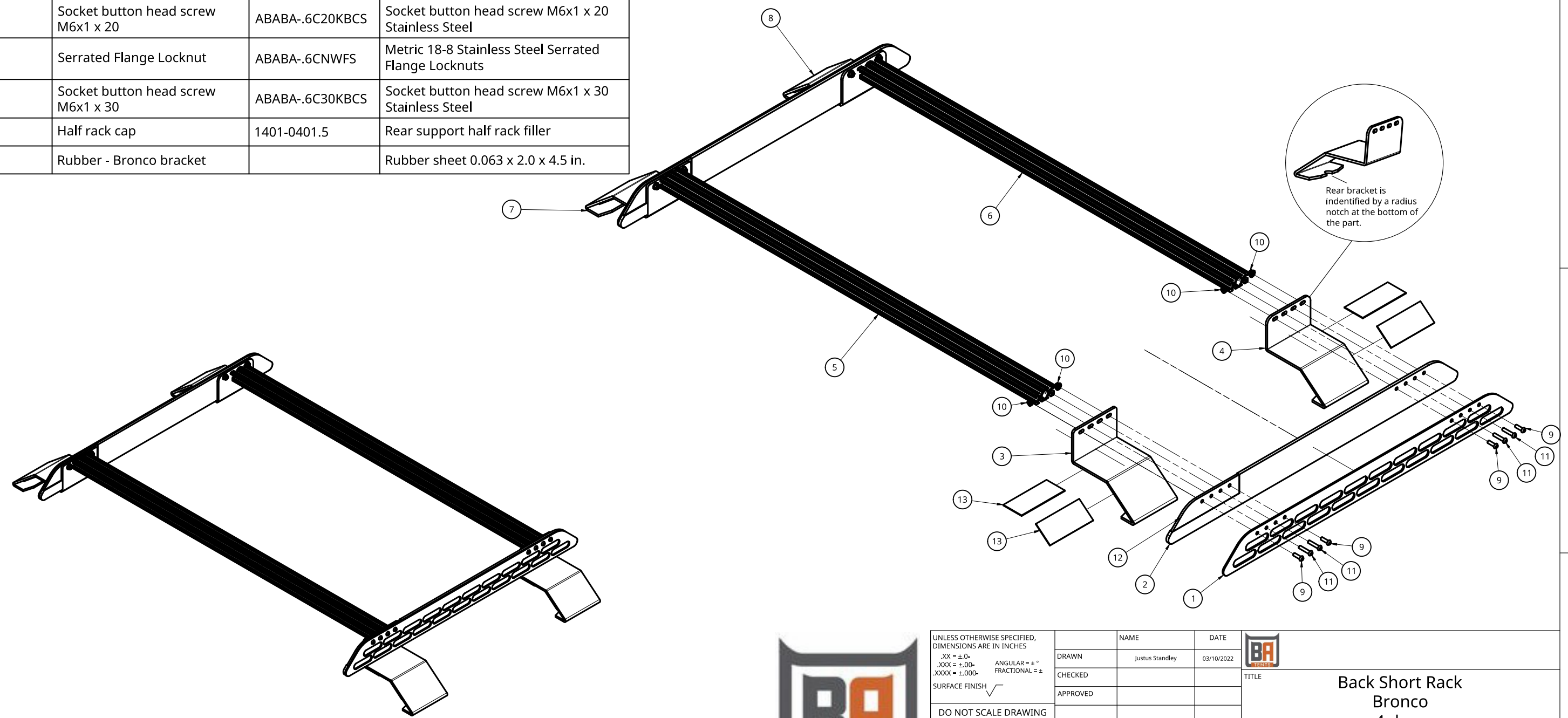
4

3

2

1

Item	Quantity	Name	Part number	Description
1	2	Accessory panel	1401-0401.3	
2	2	1401.0401.4a Support	1401-0401.4	
3	1	1401-0401.2 Center bracket		
4	1	Rear bracket	1401-0401.1	Rear mounting bracket
5	1	Cross Bar 5		Aluminum extrusion 1x2 41.00"
6	1	Cross Bar 6		Aluminum extrusion 1x2 40.375"
7	1	1401-0401.2 Center bracket		
8	1	1401-0401.1 Rear bracket	1401-0401.1	Rear Bracket
9	8	Socket button head screw M6x1 x 20	ABABA-.6C20KBCS	Socket button head screw M6x1 x 20 Stainless Steel
10	8	Serrated Flange Locknut	ABABA-.6CNWFS	Metric 18-8 Stainless Steel Serrated Flange Locknuts
11	8	Socket button head screw M6x1 x 30	ABABA-.6C30KBCS	Socket button head screw M6x1 x 30 Stainless Steel
12	2	Half rack cap	1401-0401.5	Rear support half rack filler
13	8	Rubber - Bronco bracket		Rubber sheet 0.063 x 2.0 x 4.5 in.



UNLESS OTHERWISE SPECIFIED, DIMENSIONS ARE IN INCHES .XX = ±.0- .XXX = ±.00- .XXXX = ±.000-		NAME	DATE	
ANGULAR = ± ° FRACTIONAL = ±		Justus Standley	03/10/2022	
SURFACE FINISH ✓		DRAWN		TITLE Back Short Rack Bronco 4 door
DO NOT SCALE DRAWING		CHECKED		
BREAK ALL SHARP EDGES AND REMOVE BURRS		APPROVED		
THIRD ANGLE PROJECTION	MATERIAL	FINISH		SIZE B DWG NO. 1401-0403 REV.
				SCALE 1:10 WEIGHT SHEET 1 of 1

4

3

2

1

D

D

C

C

B

B

A

A