

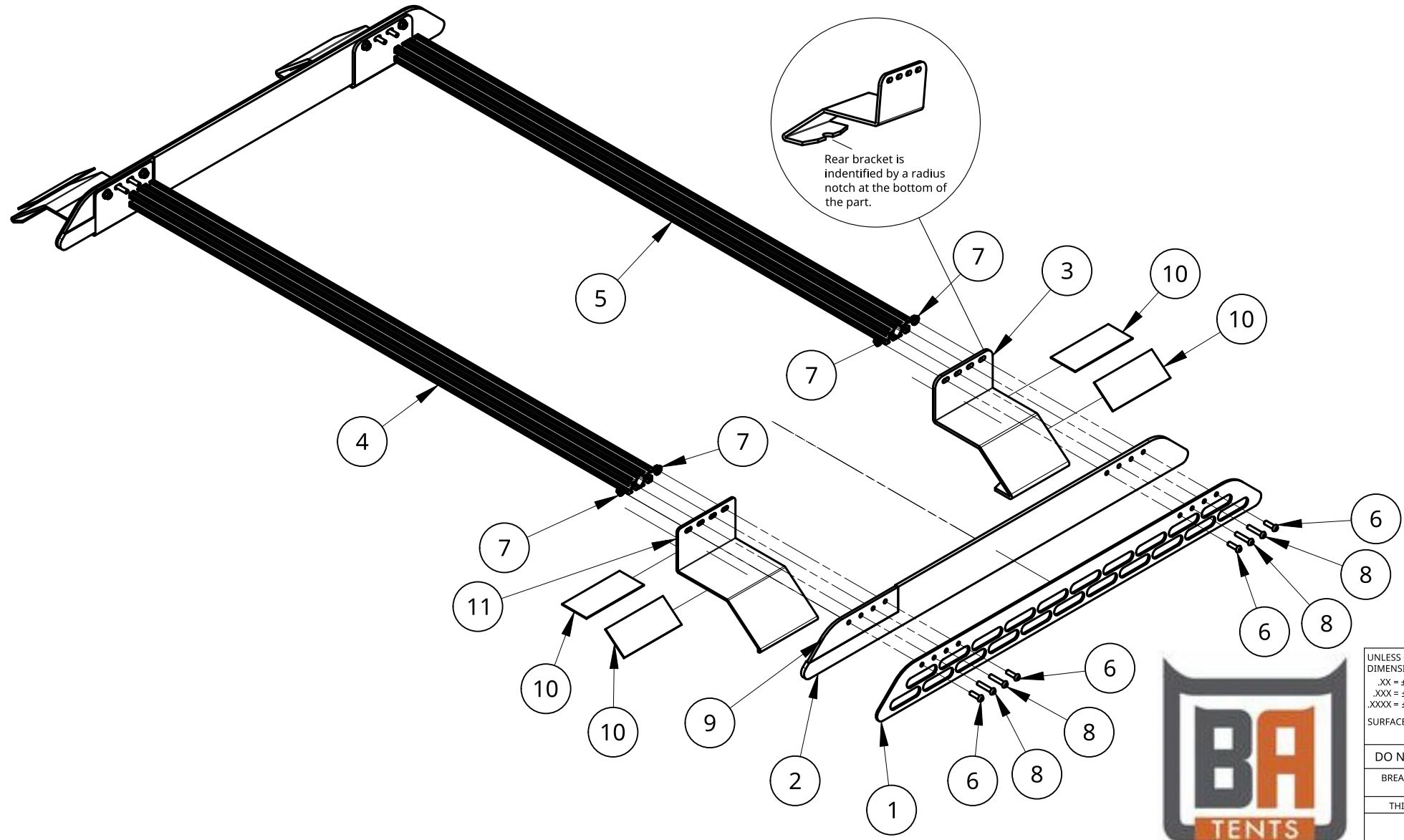
4


3

2

1

| Item | Quantity | Name | Part number | Description |
|------|----------|------------------------------------|-----------------|--|
| 1 | 2 | Accessory panel | 1401-0401.3 | |
| 2 | 2 | 1401.0401.4a Support | 1401-0401.4 | |
| 3 | 2 | Rear bracket | 1401-0401.1 | Rear mounting bracket |
| 4 | 1 | Cross Bar 5 | | Aluminum extrusion 1x2 41.00" |
| 5 | 1 | Cross Bar 6 | | Aluminum extrusion 1x2 40.375" |
| 6 | 8 | Socket button head screw M6x1 x 20 | ABABA-.6C20KBCS | Socket button head screw M6x1 x 20 Stainless Steel |
| 7 | 8 | Serrated Flange Locknut | ABABA-.6CNWFS | Metric 18-8 Stainless Steel Serrated Flange Locknuts |
| 8 | 8 | Socket button head screw M6x1 x 30 | ABABA-.6C30KBCS | Socket button head screw M6x1 x 30 Stainless Steel |
| 9 | 2 | Half rack cap | 1401-0401.5 | Rear support half rack filler |
| 10 | 8 | Rubber - Bronco bracket | | Rubber sheet 0.063 x 2.0 x 4.5 in. |
| 11 | 2 | 1401.0401.2B | 1401.0401.2B | 2 Door Bronco Half Rack, Front Mount |



| | | | | |
|--|----------|-----------------|-------------------------------|---|
| UNLESS OTHERWISE SPECIFIED, DIMENSIONS ARE IN INCHES .XX = ±.0- .XXX = ±.00- .XXXX = ±.000- | | NAME | DATE |  |
| DO NOT SCALE DRAWING | DRAWN | Justus Standley | 08/22/2022 | |
| BREAK ALL SHARP EDGES AND REMOVE BURRS | CHECKED | | | |
| THIRD ANGLE PROJECTION | APPROVED | | | |
| | TITLE | | Bronco 2 door Short Roof Rack | |
| | SIZE | DWG NO. | REV. | |
| | B | 1401-0406 | | |
| | SCALE | WEIGHT | SHEET | |
| | 1:8 | | 1 of 1 | |

4

3

2

1

D

D

C

C

B

B

A

A