

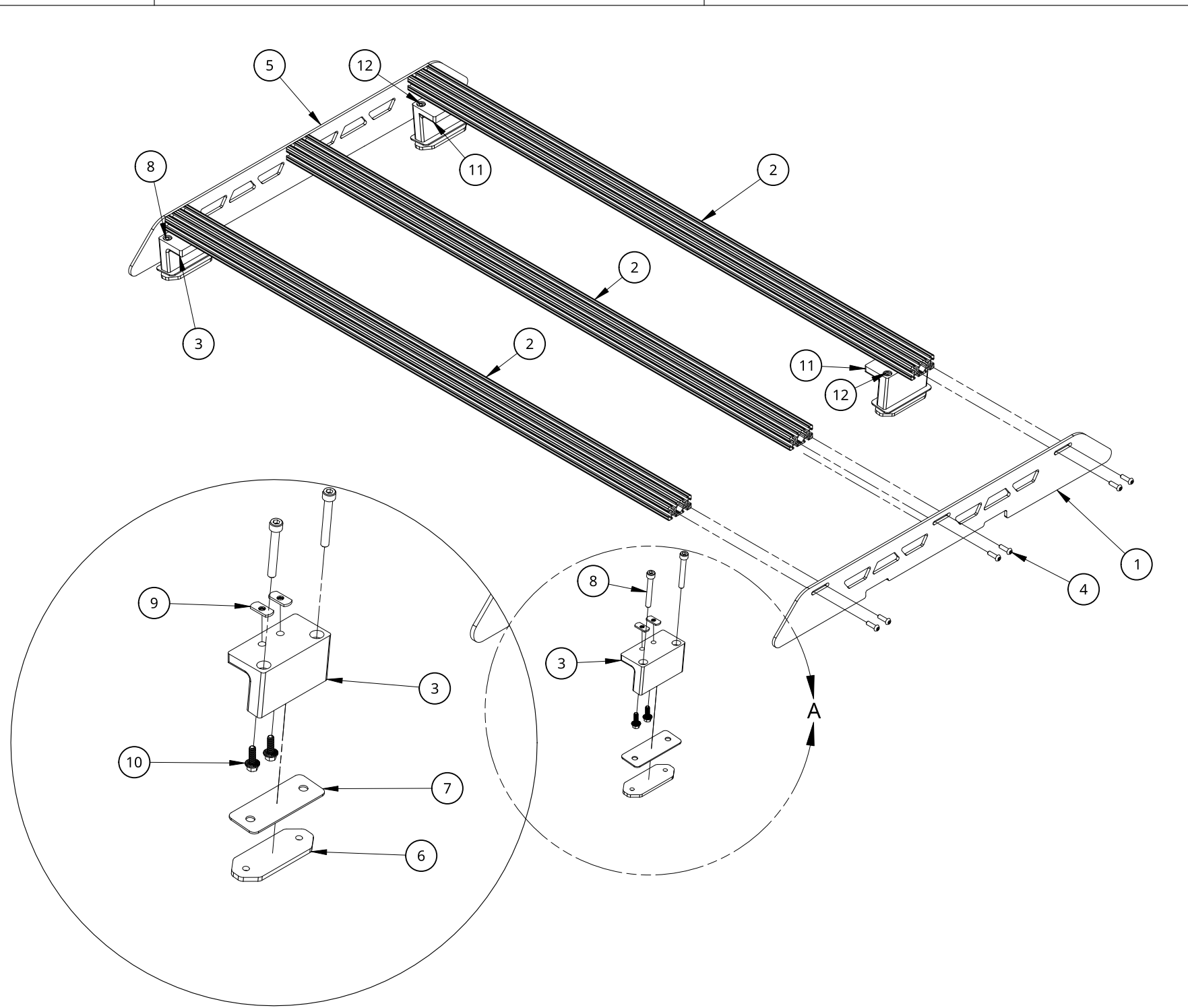
4

3

2


1

Item	Quantity	Part number	Description
1	1	1801.0401.01	Side Plate - OEM ladder cutout
2	3	1801.0400.03	Defender Roof Rack Rear Cross Bars 44" Bar 1" X 2" T-SLOTTED EXTRUSION
3	2	1801.0100.03	Machined aluminum, black
4	12	ABABA-.6C20KBCS	Socket button head screw M6x1 x 20 Stainless Steel
5	1	1801.0400.02	Side Plate - No Bottom cutouts
6	4	1801.0400.00	1801.0400.00 bottom threaded
7	4	1801.0400.01	1801.0400.01 top plate
8	4	ABABA-.8C60KCSS	Hex socket head cap screw M8x1.25 x 60 Stainless Steel
9	8	ABABA-8020-3382	1/4-20 10 S ECONOMY T-SLOT NUT, END FEED SINGLE (BLK)
10	8	ABABA-25C75BWFS	1/4-20 X 3/4 WHIZ FLNG BLT S/S
11	2	1801.0100.01	Machined aluminum, black
12	4	ABABA-.8C65KCSS	Hex socket head cap screw M8x1.25 x 65 Stainless Steel



DETAIL A



UNLESS OTHERWISE SPECIFIED, DIMENSIONS ARE IN INCHES .XX = ±.0- .XXX = ±.00- .XXXX = ±.000- SURFACE FINISH ✓		NAME	DATE		
DO NOT SCALE DRAWING	DRAWN	Justus Standley	02/22/2023		
BREAK ALL SHARP EDGES AND REMOVE BURRS	CHECKED				
THIRD ANGLE PROJECTION	APPROVED			TITLE	
				Defender Roof Rack (ladder cut outs) Assembly	
	MATERIAL	FINISH	SIZE	DWG NO.	REV.
			B	1801-0401	
			SCALE	WEIGHT	SHEET
			1:8		1 of 1

4

3

2

1

D

D

C

C

B

B

A

A