

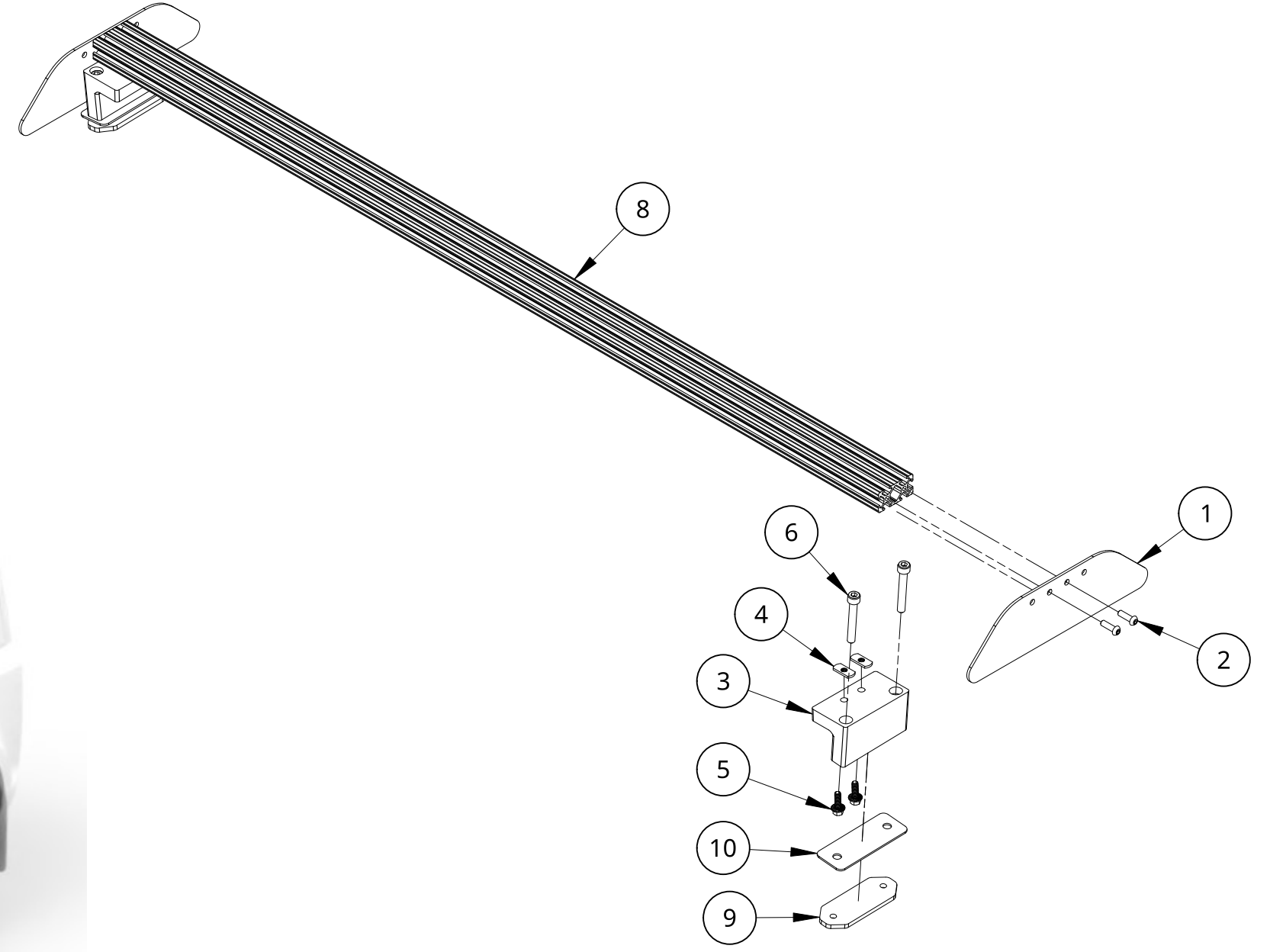
4


3

2

1

Item	Quantity	Part number	Description
1	2	1401.0401.9	Finishing plate
2	4	ABABA-6C20KBCS	Socket button head screw M6x1 x 20 Stainless Steel
3	1	1802-0100.04	Machined aluminum, black
4	4	ABABA-8020-3382	1/4-20 10 S ECONOMY T-SLOT NUT, END FEED SINGLE (BLK)
5	4	ABABA-25C75BWFS	1/4-20 X 3/4 WHIZ FLNG BLT S/S
6	4	ABABA-8C55KCSS	Hex socket head cap screw M8x1.25 x 55 Stainless Steel
7	1	1802-0100.03	Machined aluminum, black
8	1	1801.0403.01	Defender Roof Rack Front Bar 45.5 1020 extruded
9	2	1801.0400.00	1801.0400.00 bottom threaded
10	2	1801.0400.01	1801.0400.01 top plate



UNLESS OTHERWISE SPECIFIED, DIMENSIONS ARE IN INCHES .XX = ±.0- .XXX = ±.00- .XXXX = ±.000-		ANGULAR = ±° FRACTIONAL = ±	NAME	DATE		
SURFACE FINISH ✓		DO NOT SCALE DRAWING	DRAWN	Justus Standley		02/22/2023
BREAK ALL SHARP EDGES AND REMOVE BURRS		THIRD ANGLE PROJECTION	CHECKED			
			APPROVED			
			TITLE		<b>Defender Roof Rack Front Cross Bar Assembly</b> SIZE B DWG NO. <b>1801-0403</b> REV.	
			SCALE	1:6		WEIGHT
			SHEET			1 of 1

4

3

2

1

D

D

C

C

B

B

A

A