

4

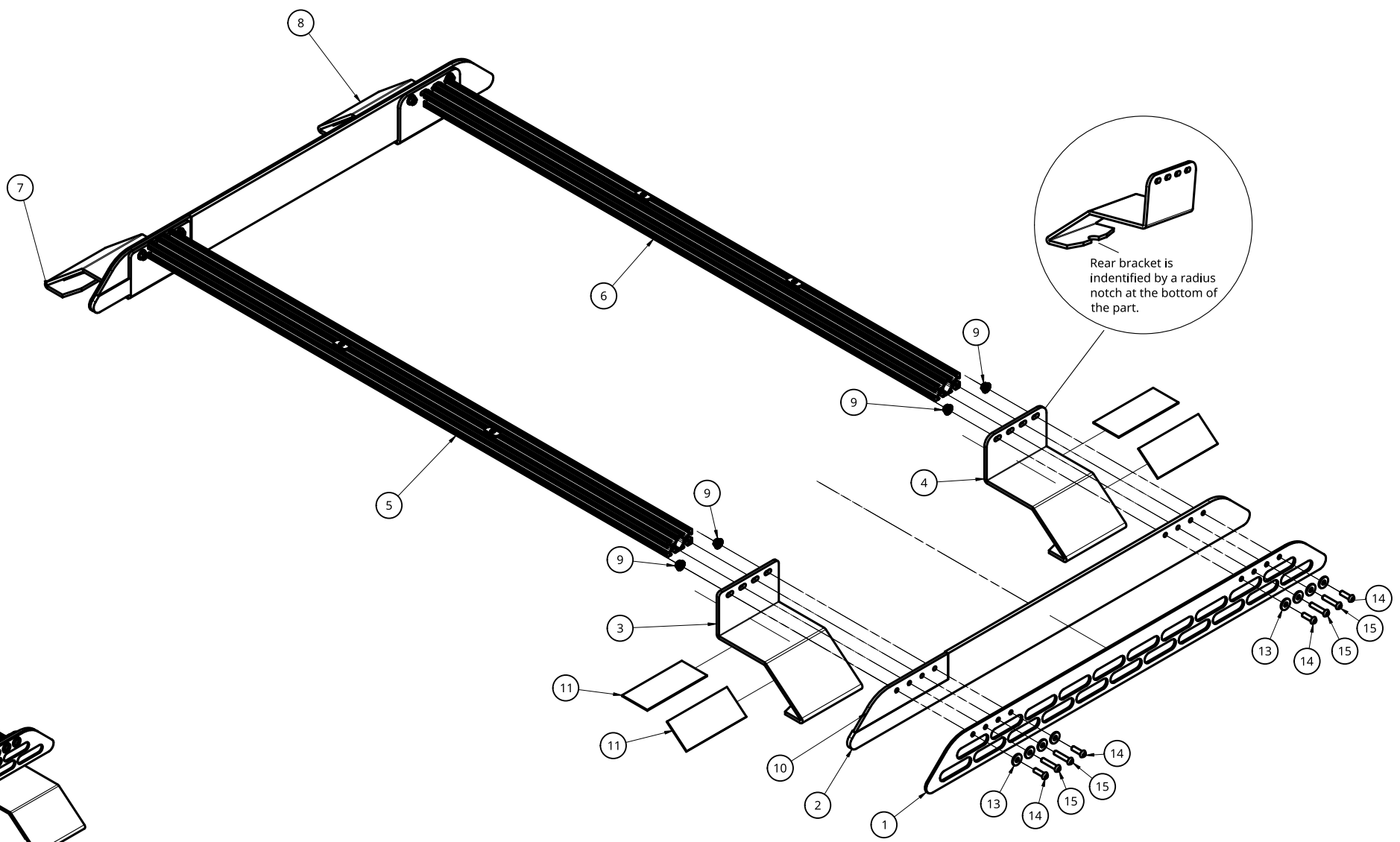
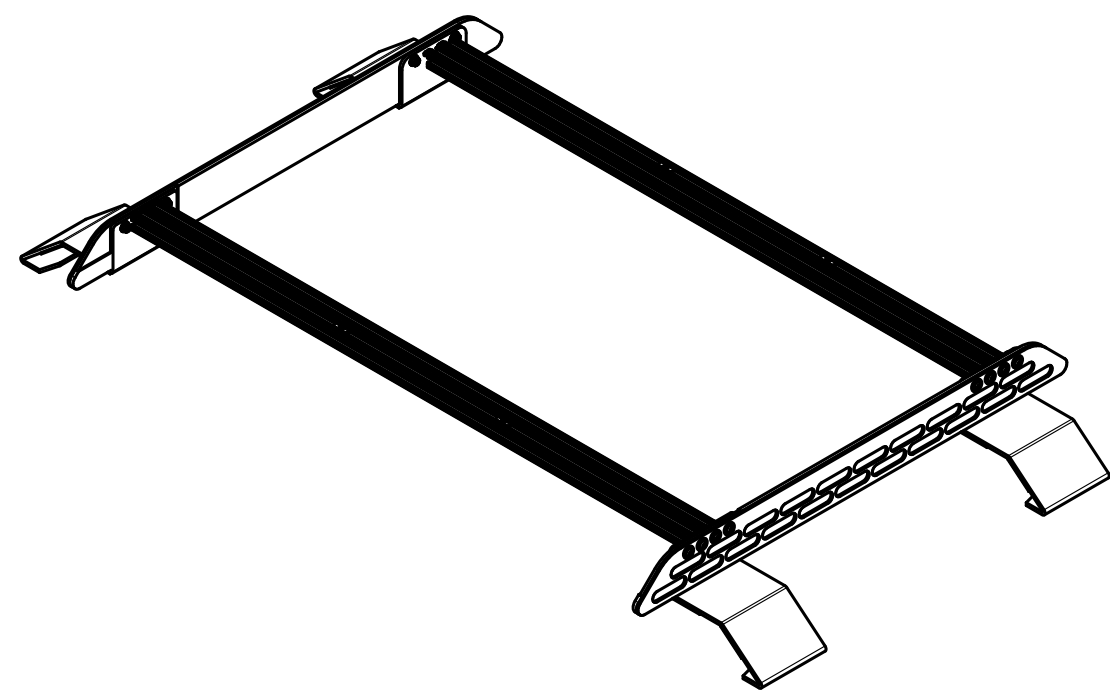
3

2

1

Item	Quantity	Name	Part number	Description
1	2	Accessory panel	1401-0401.3	
2	2	1401.0401.4a Support	1401-0401.4	
3	1	1401-0401.2 Center bracket		
4	1	Rear bracket	1401-0401.1	Rear mounting bracket
5	1	Cross Bar 5		Aluminum extrusion 1x2 41.00"
6	1	Cross Bar 6		Aluminum extrusion 1x2 40.375"
7	1	1401-0401.2 Center bracket		
8	1	1401-0401.1 Rear bracket	1401-0401.1	Rear Bracket
9	8	Serrated Flange Locknut	ABABA-.6CNWFS	Metric 18-8 Stainless Steel Serrated Flange Locknuts
10	2	Half rack cap	1401-0401.5	Rear support half rack filler
11	8	Rubber - Bronco bracket		Rubber sheet 0.063 x 2.0 x 4.5 in.
12	4	T-Nut	3382-T-NUT	1/4-20 10 S ECONOMY T-SLOT NUT, END FEED SINGLE (BLK)
13	16	Plastic Washer	90295A450	Nylon Plastic Washer for Number 12 Screw Size, 0.260" ID, 0.688" OD 0.070" thick Black
14	8	Socket button head screw M6x1 x 20	ABABA-.6C20KBCS	Socket button head screw M6x1 x 20 Stainless Steel
15	8	Socket button head screw M6x1 x 30	ABABA-.6C30KBCS	Socket button head screw M6x1 x 30 Stainless Steel

revised 12/19/2023



UNLESS OTHERWISE SPECIFIED, DIMENSIONS ARE IN INCHES .XX = ±.0- .XXX = ±.00- .XXXX = ±.000-		NAME	DATE	
ANGULAR = ± ° FRACTIONAL = ±	DRAWN	Justus Standley	03/10/2022	
SURFACE FINISH ✓	CHECKED			
DO NOT SCALE DRAWING BREAK ALL SHARP EDGES AND REMOVE BURRS	APPROVED			
THIRD ANGLE PROJECTION	MATERIAL	FINISH	TITLE <b>Back Short Rack Bronco 4 door</b>	
			SIZE B	DWG NO. 1401-0403
			SCALE 1:10	WEIGHT
			SHEET	1 of 1

4

3

2

1

D

D

C

C

B

B

A

A